

IMAGINE & CREATE

CWF
— LTD —



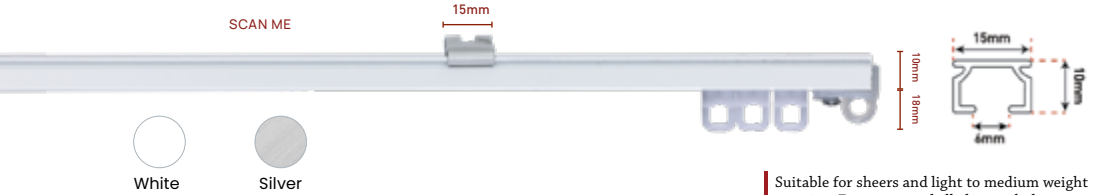
INTERACTIVE PDF
CLICK ON THE PRODUCT
TO BUY ONLINE

INDEX

4	0521	Hand Drawn	10kg
4	1005	Hand Drawn	12kg
5	1019	Hand Drawn	12kg
6	1020	Cord Drawn / Motorized	35kg
7	1021	Hand Drawn	35kg
9	1100 & 1100 LED	Hand Drawn	15kg
10	1012	Hand Drawn	15kg
11	1300	Cord Drawn	15kg
13	1400	Cord Drawn	40kg
14	1500	Recessed / Hand Drawn	14kg
14	2005	Hand Drawn	20kg
18	2300	Hand Drawn	15kg
19	5001	Hand Drawn	25kg
20	5001 Suspended	Hand Drawn	15kg
22	5408 / 3 Way Draw	Hand Drawn	20kg
22	6220	Hand Drawn / Cord Drawn	18kg
24	8061 Hotel	Hand Drawn	15kg
24	8062 Hotel	Hand Drawn	15kg
25	9001	Hand Drawn / Cord Drawn	20kg
27	9001 Suspended	Hand Drawn	15kg
29	9111	Hand Drawn	10kg
29	9920	Hand Drawn	10.5kg
30	9930	Hand Drawn	10.5kg
30	Deco 1020	Hand Drawn / Motorized	35kg
34	Project	Battery Motor	7kg
35	Glydea / Irismo	Motorized	60kg
37	Techno 30	Hand Drawn / Cord Drawn / Motorized	60kg
40	Deluxe	Roman Blind / Chain	6kg
40	2009	Roman Blind / Chain	12kg*
41	2009	Roman Blind / Motorized	4.5kg*
41	2012 HD	Roman Blind / Chain	8kg*
42	2012 HD	Roman Blind / Motorized	8kg*
42	Danish	Roman Blind / Motorized	17kg
43	Bend List	Information	
44	Wall Allowance	Information	
45	Minimum Bending	Information	
46	Recessed Tracks	Information	
47	Curtain Tracks Somfy Motors	Information	
48	Roman Blind Kit Somfy Motors	Information	
49	Remote Controls	Information	
50	90° Adaptor	Information	

HAND DRAWN CURTAIN TRACKS





Suitable for sheers and light to medium weight curtains, Features pre-drilled screw holes every 48cm.

Specs Brackets and Gliders

Article Number	560-07	560-09	560-014	560-019
Bracket Size	7cm	9cm	14cm	19cm
X=	60mm	80mm	130mm	180mm

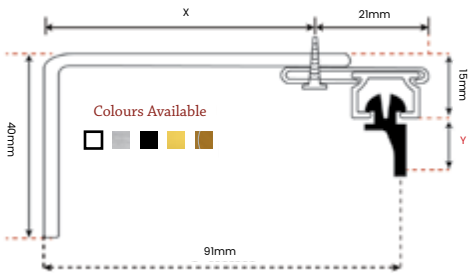
STANDARD

WAVE

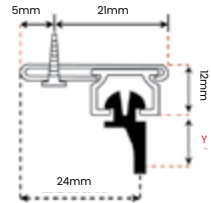
Y=

GLSD5WH	GLWG7WH6-6cm	GLWG7WH-8cm	6036	14058
13mm	9.5mm	9.5mm	9mm	7mm

Wall Fix



Ceiling Fix



Compact hand-drawn curtain track designed to fit discreetly. Its small size allows tilt and turn windows to open freely when installed within the window reveal.

Specs Brackets and Gliders

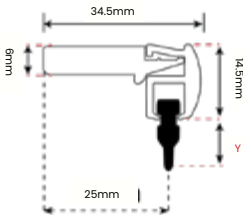
STANDARD

WAVE

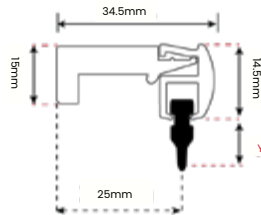
Y=

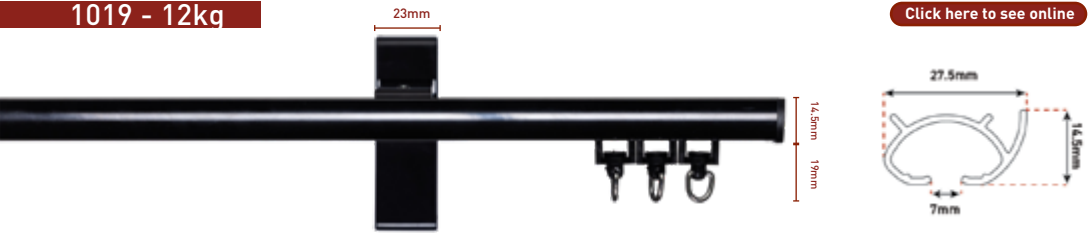
4050WH	4041-6cm	4042-8cm
7mm	7mm	7mm

Ceiling Fix



Wall Fix





White



Black

Compatible with our Asymmetric Gliders, this track guarantees you a smooth experience gliding your curtains. Lightweight giving you endless customizing possibilities!

Specs Brackets and Gliders

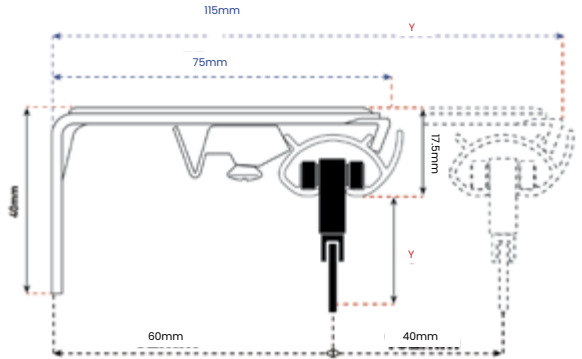
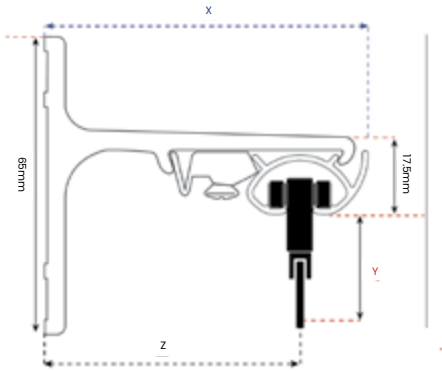
Article Number	11107	5080124000
Bracket Size	7cm	10cm
X=	73mm	100mm
Z=	58mm	90mm

	STANDARD		WAVE	
Y=	5080804000	GLSD5WH	GLWG7WH6-6cm	GLWG7WH-8cm
	19mm	13mm	9.5mm	9.5mm

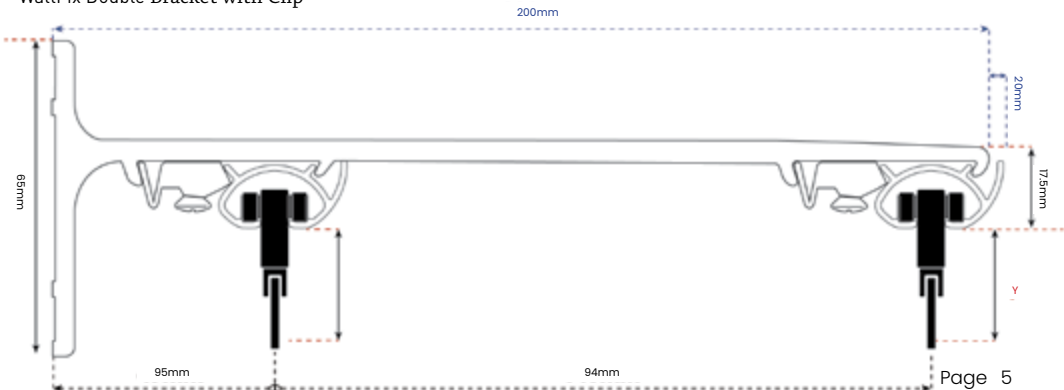
Wall Fix - 11107 / 5080124000

Extendible Wall Fix

75mm or 115mm



WallFix Double Bracket with Clip





White



Matt Black

Multi-functional track series that can support staggering 35kg . The 1020 not only has a sleek minimalistic appearance, but is extremely durable, strong and easy to assemble.
Comes in Battery, Electric and Corded options.

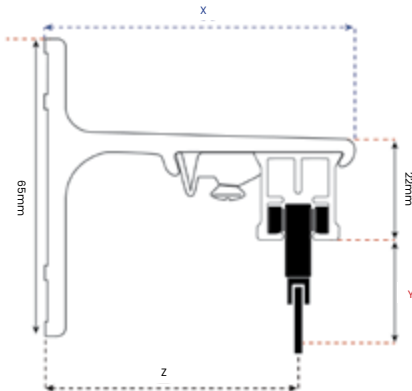
Corded Max Weight: 20kg
Electric Battery Max Weight: 35kg

Specs Brackets and Gliders

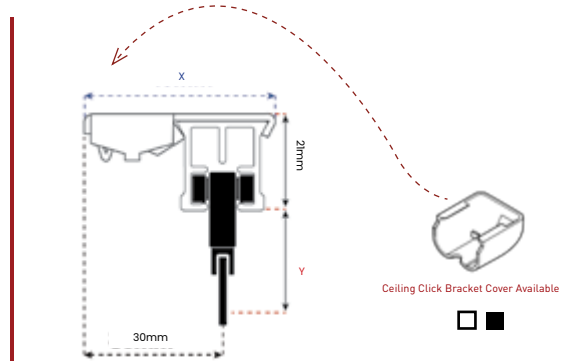
Article Number	11107	5080124000
Bracket Size	7cm	10cm
X=	73mm	100mm
Z=	58mm	90mm

	STANDARD	WAVE	
	5080804000	GLWG7WH6-6cm	GLWG7WH-8cm
Y=			
	19mm	9.5mm	9.5mm

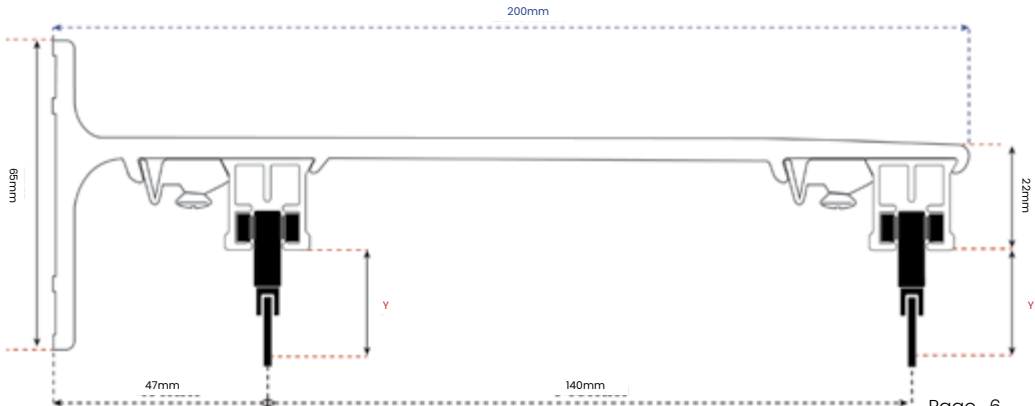
Wall Fix



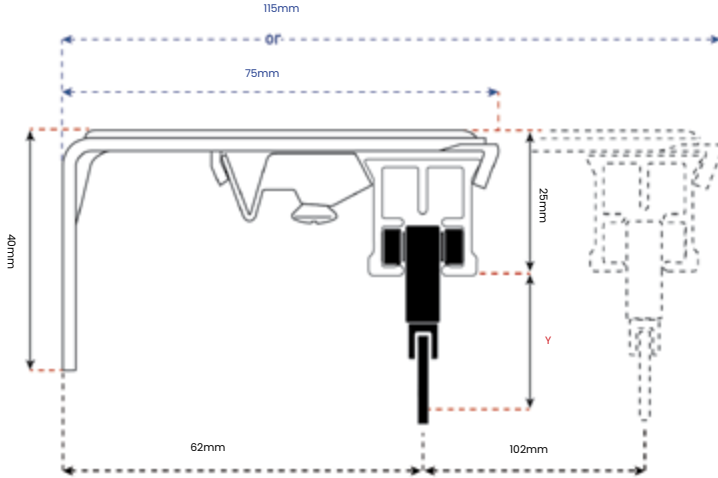
Ceiling Click Bracket



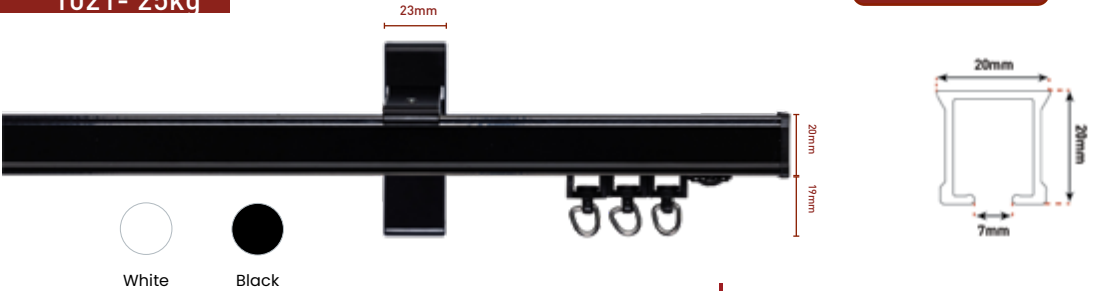
Wall Fix - Double



Extendible - Wall Fix
75mm or 115mm



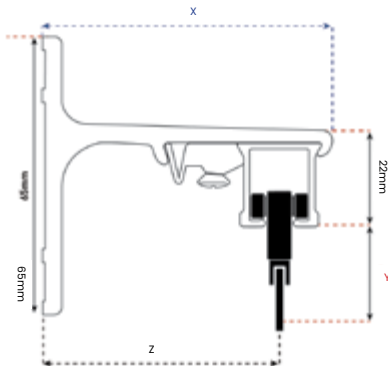
1021- 25kg



Specs Brackets and Gliders

Sleek and durable hand drawn Curtain Track, available in White and Black finishes to match any interior. This fully bendable track is compatible with standard roller gliders and wave systems, supports curtains up to 20kg.

Wall Fix - 11107 / 5080124000

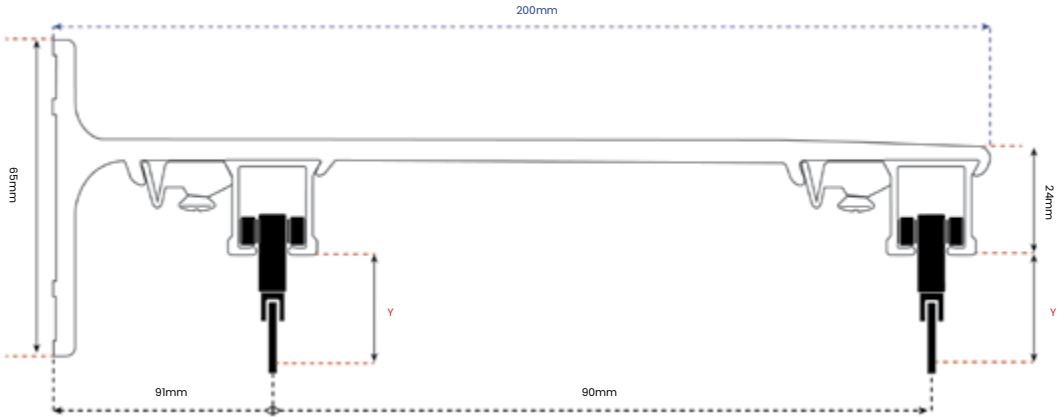


Article Number	11107	5080124000
Bracket Size	7.5cm	10cm
X=	75mm	100mm
Z=	62mm	87mm

STANDARD

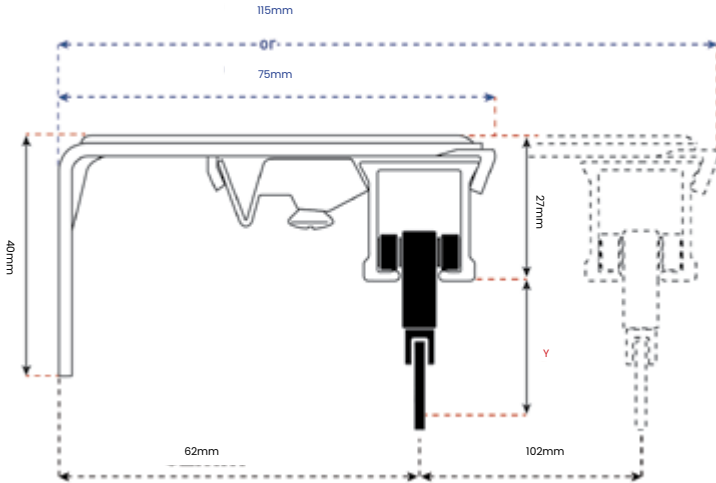
			--- WAVE ---
5080804000	508082800	GLWG7WH6-6cm	GLWG7WH-8cm
19mm	19mm	9.5mm	9.5mm

Wall Fix - Double

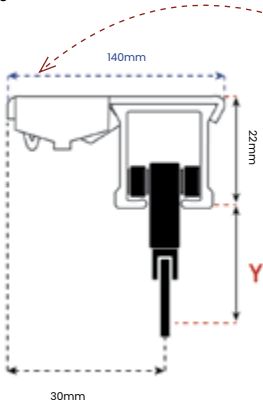


Extendible Wall Fix

75mm or 115mm

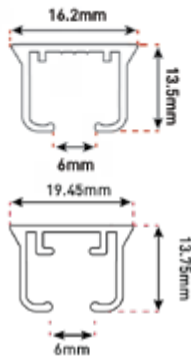


Ceiling Click Bracket



Ceiling Click Bracket Cover Available





NEW WITH LED LIGHT

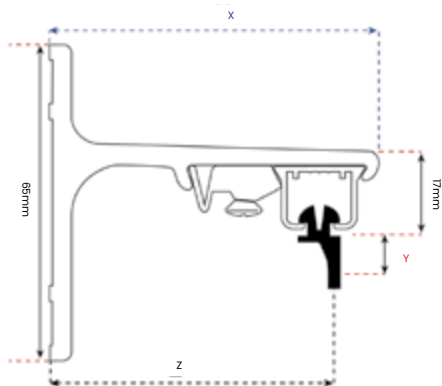
Compact hand-drawn curtain track designed to fit discreetly. Its small size allows tilt and turn windows to open freely when installed within the window reveal.

Specs Brackets and Gliders

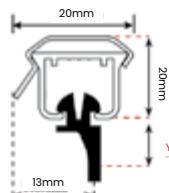
Article Number	11107	5080124000
Bracket Size	7cm	10cm
X=	73mm	100mm
Z=	58mm	90mm

	STANDARD		WAVE			
Y=	GLS05WH	5721	GLW67WH6-6cm	GLW67WH-8cm	6036	14058
	13mm	6mm	9.5mm	9.5mm	9mm	7mm

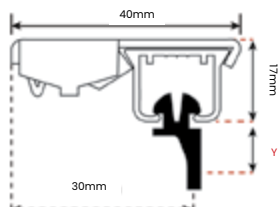
Wall Fix - Heavy Duty Bracket



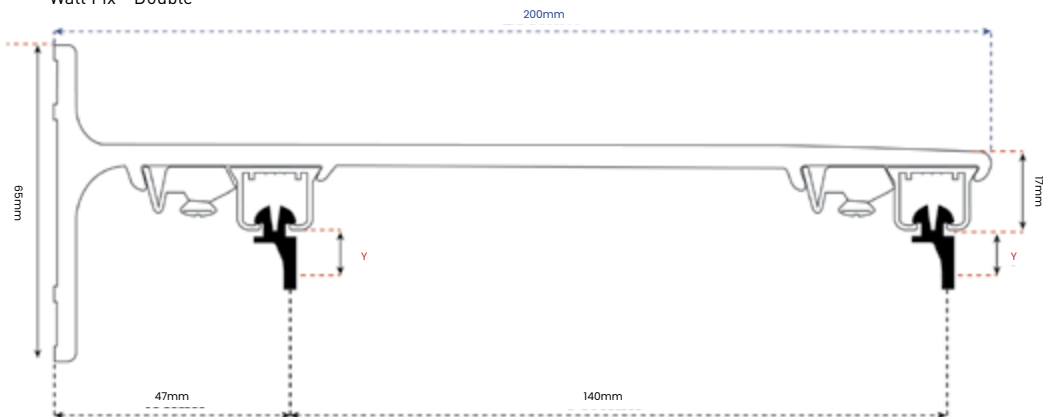
Click Bracket



Ceiling Click Bracket



Wall Fix - Double





White

Minimalistic curtain track with an 8.5mm height, capable of holding up to 15kg. Bendable for curved designs. Quick and easy installation using wall and ceiling brackets.

Specs Brackets and Gliders

Article Number	11107	5080124000
Bracket Size	7cm	10cm
X=	73mm	100mm
Z=	58mm	90mm

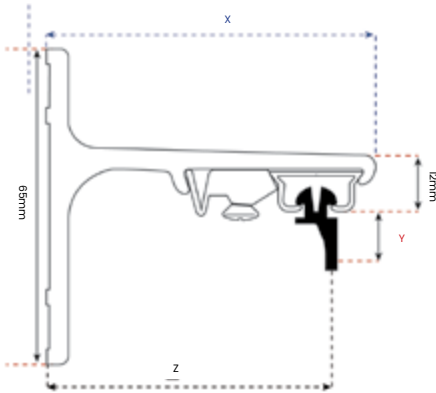
STANDARD

--- WAVE ---

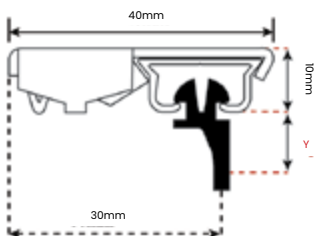
GLSD5WH	5721	GLWG7WH6-6cm	GLWG7WH-8cm
13mm	6mm	9.5mm	9.5mm



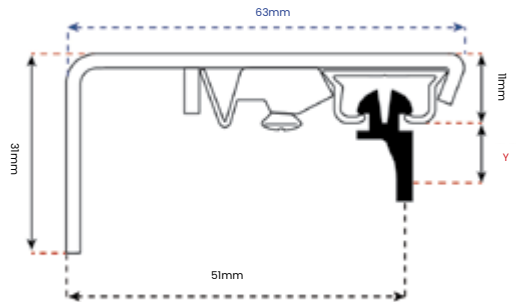
Wall Fix - Heavy Duty Bracket



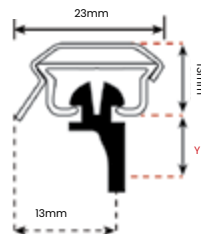
Ceiling Click Bracket

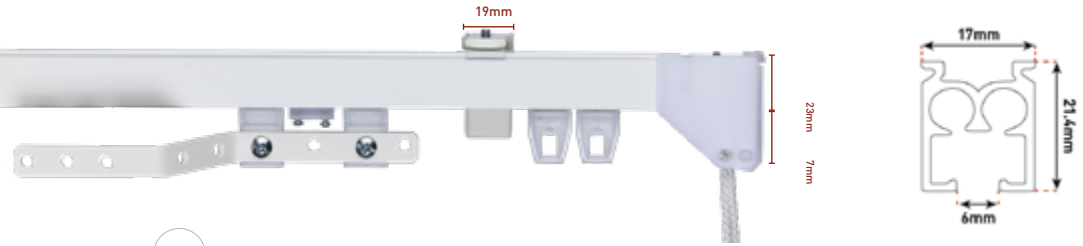


Wall Fix - Standard Basic Bracket



Click Bracket





White

Cord operated track is a light to medium weight curtain track system. Enclosed cord channels ensure the cord does not slip out. Low friction gliders ensure a long lasting easy glide.

Specs Brackets and Gliders

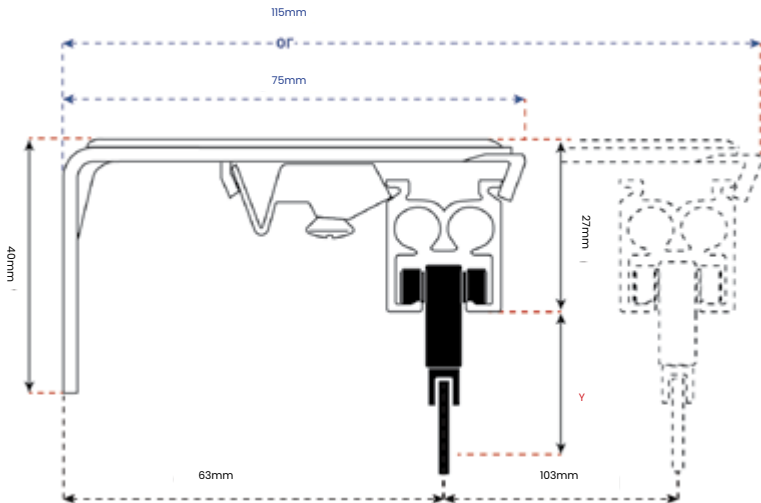
Article Number	1107	5080124000
Bracket Size	7cm	10cm
X=	70mm	100mm
Z=	60mm	90mm

	STANDARD	WAVE	
Y=	5080804000	GLWG7WH6-6cm	GLWG7WH-8cm
	19mm	9.5mm	9.5mm

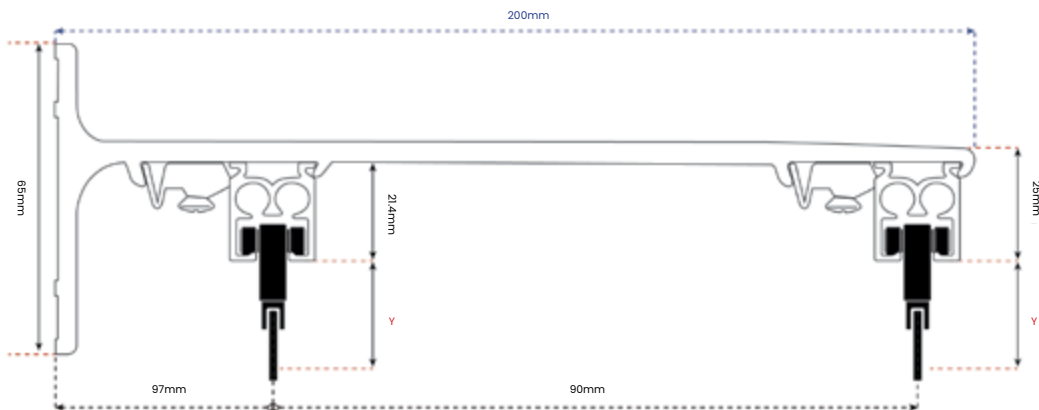


Extendible - Wall Fix

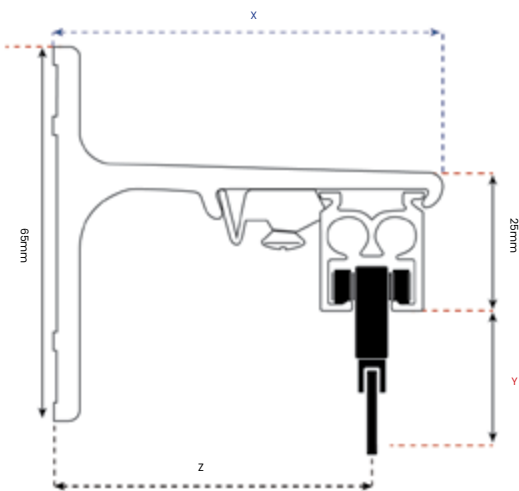
75mm or 115mm



Face Wall - Double

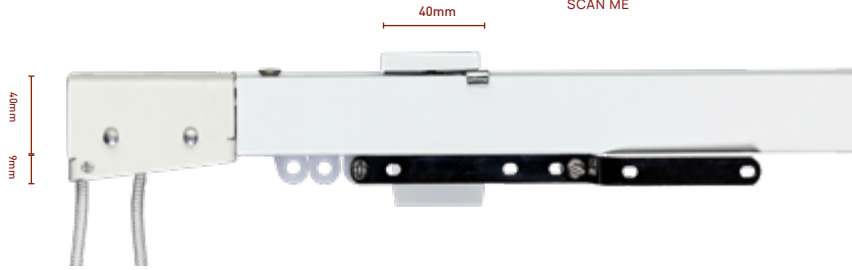
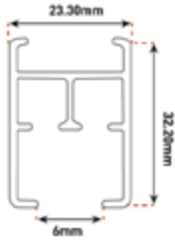


Wall Fix - Double



Ceiling Click Bracket





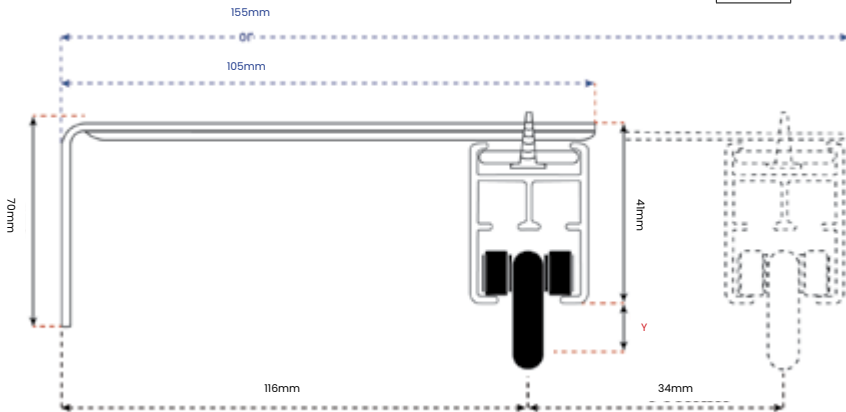
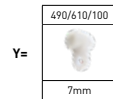
White

Ideal for heavy stage curtains, conference rooms, sports halls and very heavy domestic curtains. Effortless closing of curtains up to 40kg with smooth ball bearing roller gliders and heavy-duty pulleys.

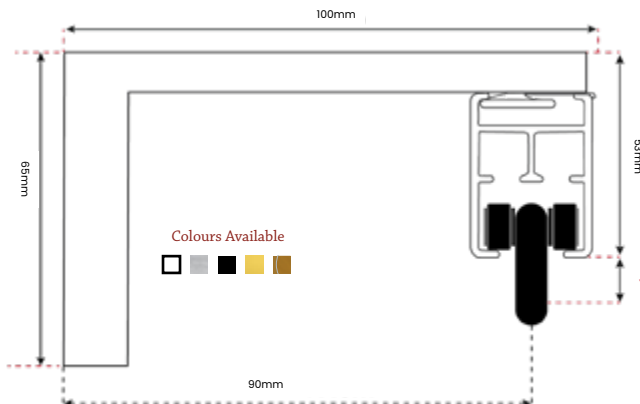
Specs Brackets and Gliders

Extendible - Wall Fix

105mm or 155 mm



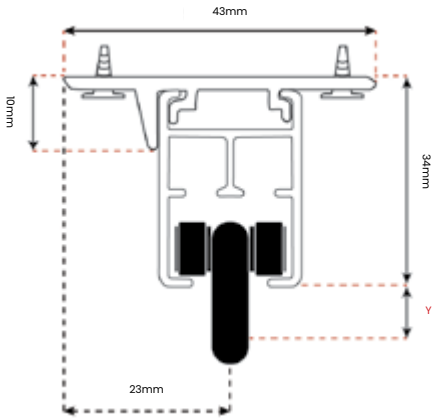
Wall Fix - Square



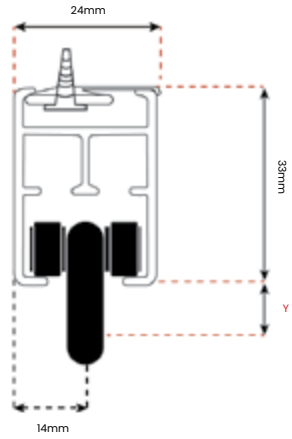
Colours Available



Ceiling Fix



Article Number: 1415

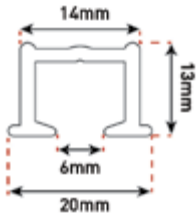


Article Number: 4907000004-01



[Click here to see online](#)

1500 - Recessed Track - 14kg

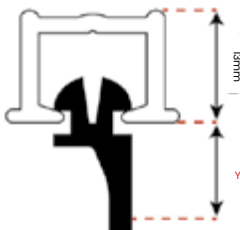


Specs Gliders



White

1500 has pre-drilled holes every 15 cm for recessing and mounting directly into the ceiling. Delivered in lengths of 6 meters. Can be bent and curved.



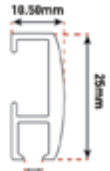
STANDARD

--- WAVE ---

	GLSD5WH	GLWG7WH6-6cm	GLWG7WH-8cm
Y=			
	13mm	9.5mm	9.5mm



Picture - Standard Bracket



White



Off-White



Gold



Antique Brass



Black



French Grey



Stone



Metallic Silver



Slate Grey



Leaf Green

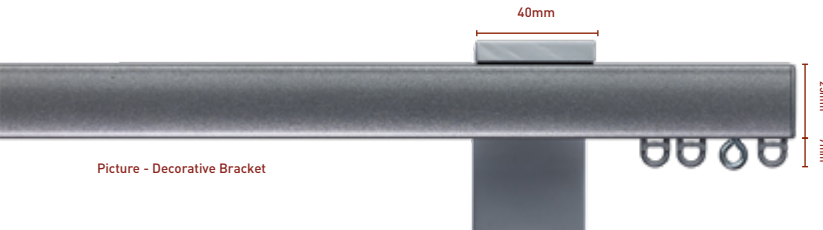


Coastal Blue



Anthracite

With colour coordinated nylon fittings and standard bracket covers. Compatible with square single and double brackets (bracket available in 5 colours)



Picture - Decorative Bracket



DESIGN YOUR WAY

NEW FRENCH BEND



A French bend on a curtain track offers smooth and quiet operation, elegant aesthetics, and maximized space and light. Provides precise light control, making it a practical and stylish choice for any room.

- Better Light Control
- Smooth Operation
- Enhanced Aesthetics
- Space Efficiency
- Improved Functionality
- Reduced Noise

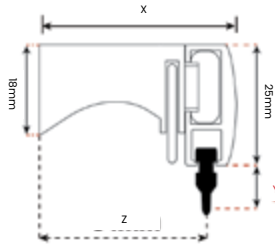


Specs Brackets and Gliders

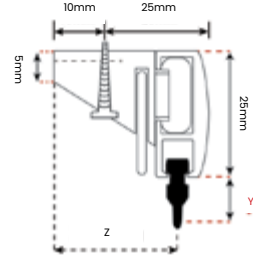
Article Number	2023	2024	2025	2026	560-07	560-09	560-14	560-19
Bracket Size	3cm	4cm	5cm	6cm	7cm	9cm	14cm	19cm
X=	38mm	48mm	58mm	68mm	78mm	80mm	130mm	180mm
Z=	34mm	44mm	54mm	64mm	74mm	94mm	144mm	194mm

STANDARD	WAVE	
4050WH	4041-6cm	4042-8cm
Y= 		
7mm	7mm	7mm

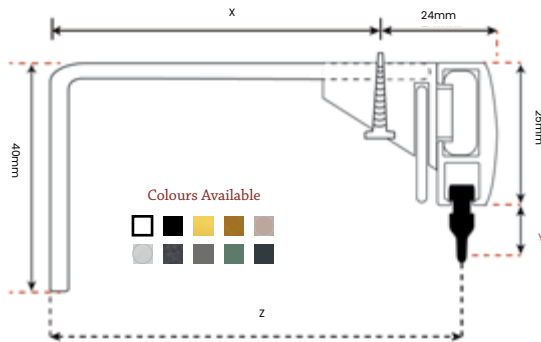
Wall Fix



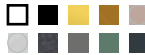
Ceiling Fix



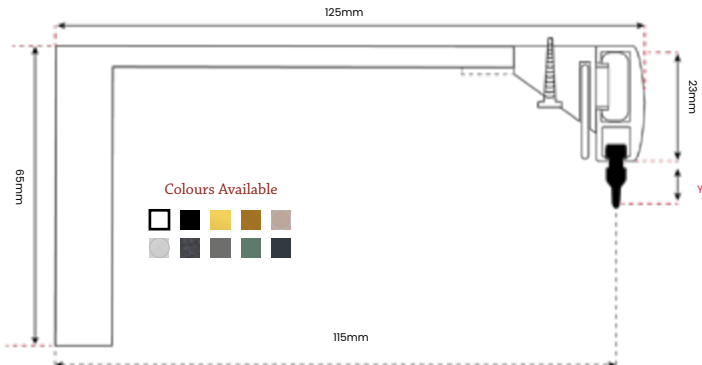
Wall Fix - L



Colours Available



Wall Fix- 2005 Decorative



Colours Available





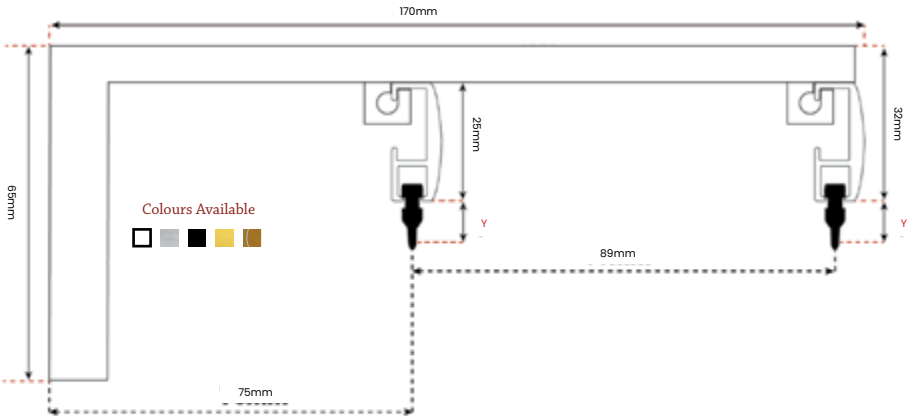
Wall Fix-Decorative Bracket and Joiner

Note.- Please note Joiner is sold separatley

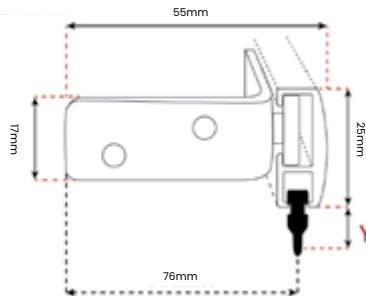


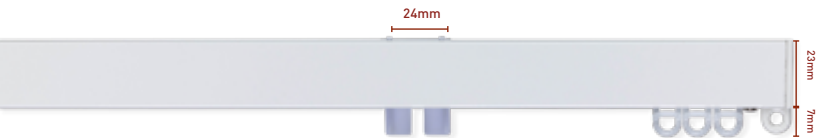
Wall Fix- Double Decorative Bracket and Joiner

Note.- Please note Joiner is sold separatley



Side Bracket





White

High performance with European standard 23 mm height. Easy to install, minimalistic and functional, the 2300 Track System is a popular track for hotel contract work due to its competitive price and versatility.

Specs Brackets and Gliders

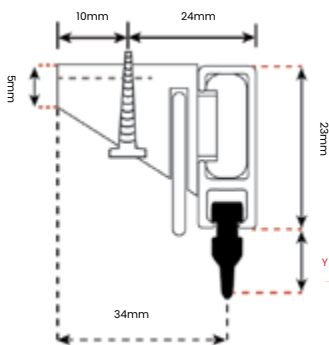
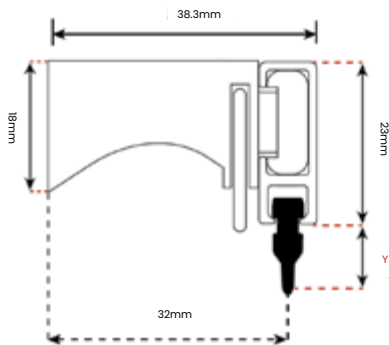
Article Number	2023	2024	2025	2026	560-07	560-09	560-14	560-19
Bracket Size	3cm	4cm	5cm	6cm	7cm	9cm	14cm	19cm
X=	38mm	48mm	58mm	68mm	60mm	80mm	130mm	192mm
Z=	34mm	44mm	54mm	64mm	72mm	92mm	142mm	192mm

STANDARD	WAVE
4050WH	4041-6cm
4042-8cm	
6mm	6mm

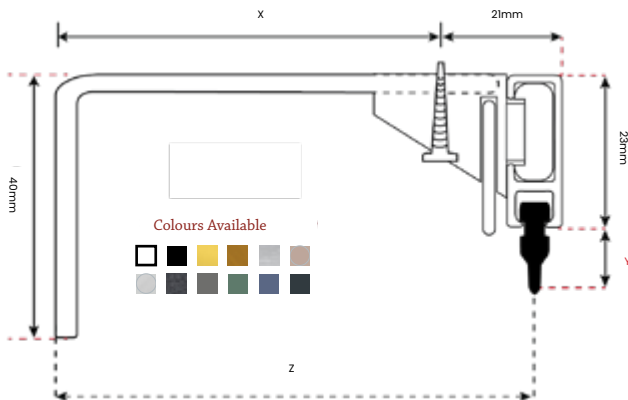
Y=

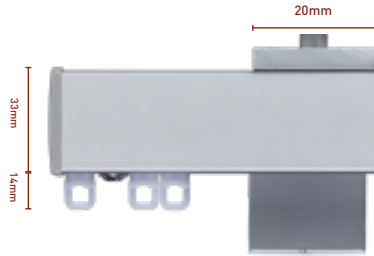
Wall Fix

Ceiling Fix



Wall Fix - L





Contemporary, hand drawn curtain track system suitable for both domestic and contract applications. Pair with decorative square brackets to create the ultimate modern look, popular as roomdivider.

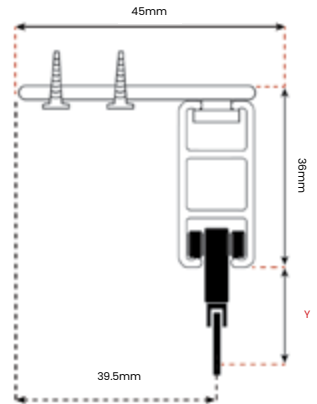
Specs Brackets and Gliders

	STANDARD	WAVE			
	5080804000	GLWG7WH6-6cm	GLWG7WH-8cm	6036	14058
Y=					
	19mm	9.5mm	9.5mm	9mm	7mm

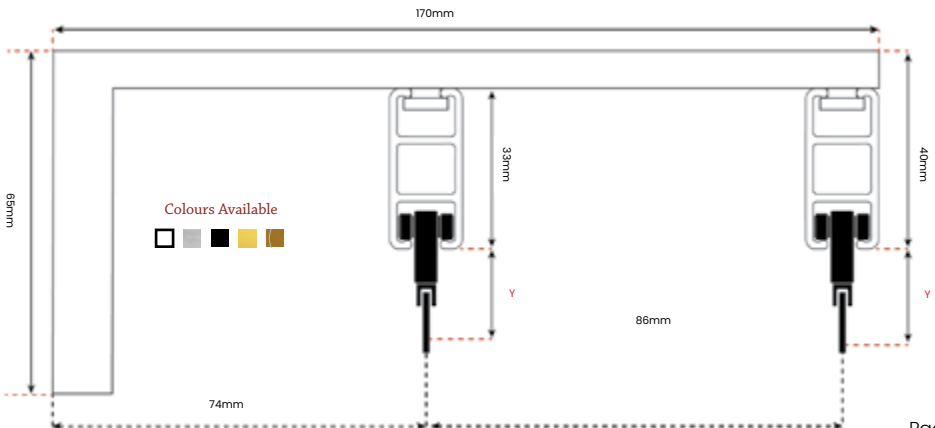
Wall Fix - Decorative Square Bracket

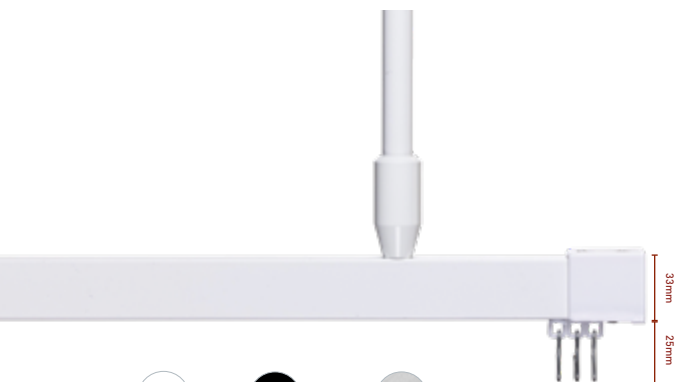


Ceiling Fix



Wall Fix - Double Decorative Square Bracket





White



Black



Silver

Developed for technical curtain solutions in hospitals and health care facilities. Whether for light weight or heavy weight curtain solutions, the cubicle track has a wide variety of flexible options. Popular as roomdivider, for ceiling curtains and for bathrooms as well.

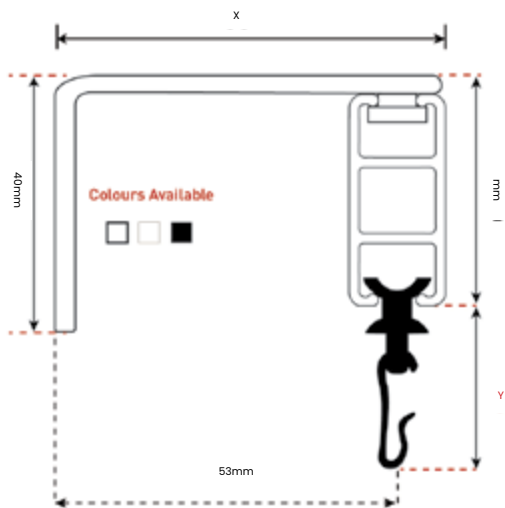
Specs Brackets and Gliders

Article Number	5006	5110
Bracket Size	6cm	10cm
X=	63mm	103mm
Z=	63mm	103mm

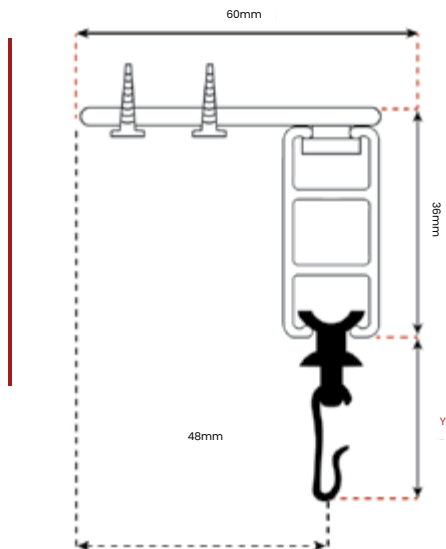
5739K	5091
	
23mm	23mm



Wall Fix - L



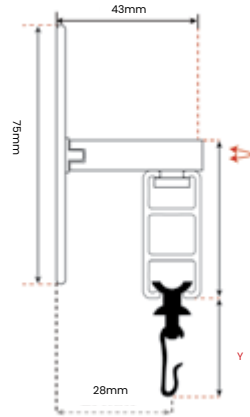
Ceiling Fix



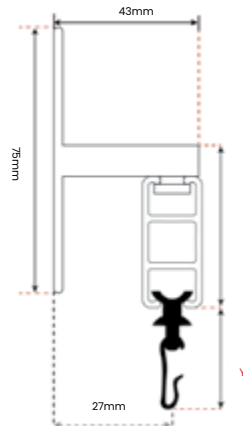
Suspended Bracket



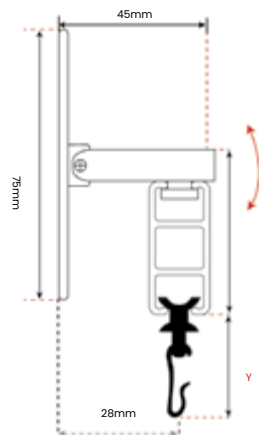
Side Angle Bracket Adjustable Side to Side



Side Bracket



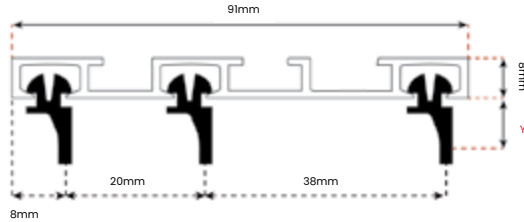
Side Angle Bracket Adjustable Up and Down





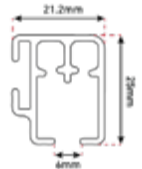
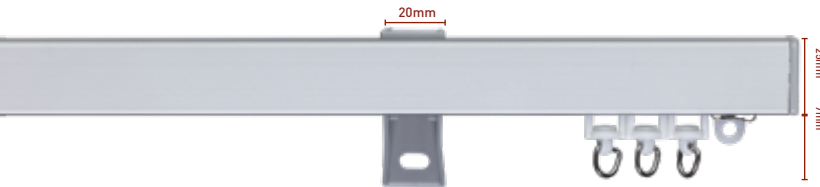
Our most popular multi-channel track, used widely in hotels throughout Europe. The three-way curtain track allows a voile on the back track and one curtain on each of the front tracks, allowing for a large overlap.

White



Mounted directly onto the ceiling - No pre-drilled holes but a mounting groove in the profile

	STANDARD	WAVE	
Y=	GLSD5WH	GLWG7WH6-6cm	GLWG7WH-8cm
	13mm	9.5mm	9.5mm

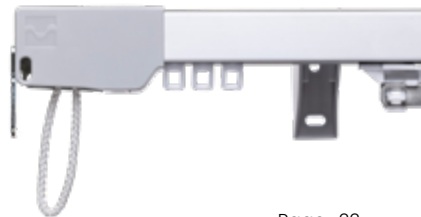


White Silver

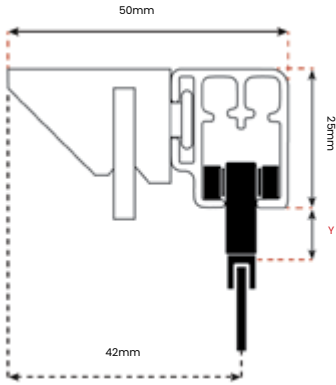
Sleek and contemporary, this high performance hand drawn track is suitable for medium to heavy-weight curtains. Purpose designed for direct ceiling/recess fixing for a neat, attractive track.
Available in Corded and Hand Drawn options.

Specs Brackets and Gliders

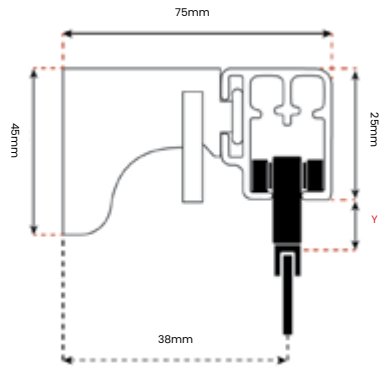
	STANDARD	WAVE STRAIGHT		WAVE BEND		
Y=	5080804000	6036	GLWG7WH6-6cm	GLWG7WH-8cm	8627 - 6cm	8625 - 8cm
	19mm	9mm	9.5mm	9.5mm	19mm	19mm



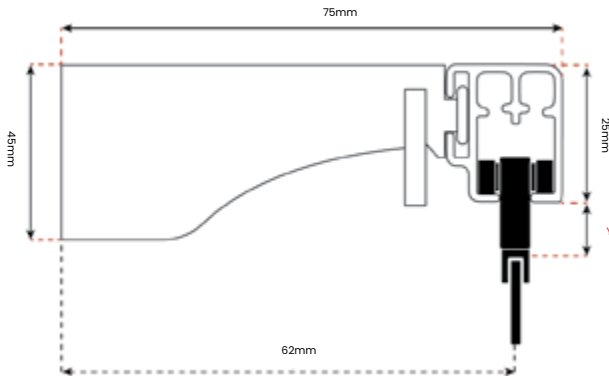
Lever Lock Ceiling Bracket



3cm Lever Lock Wall Bracket

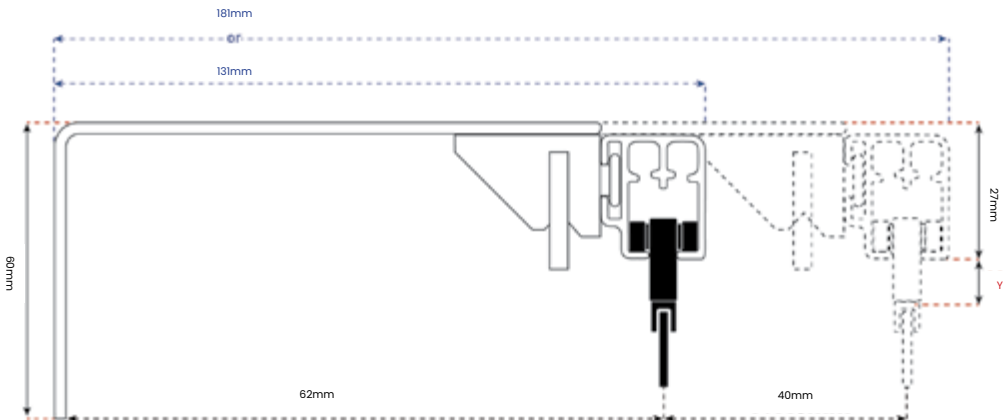


7cm Lever Lock Wall Bracket



Extendible Face Fix

110mm or 160 mm

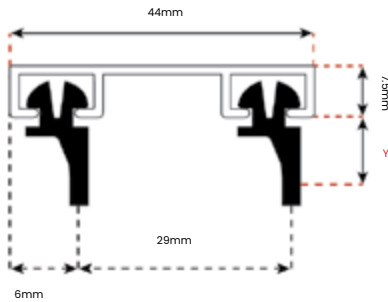




Symmetrical double channel track ideal for contract applications such as hotels and offices. Perfect for creating a flawless curtain overlap. Example use: Right-hand curtain on front track, left-hand curtain on rear.



White



Mounted directly onto the ceiling. Pre-drilled holes every 50cm.

GLSD5WH	5721	6025
13mm	6mm	6mm

Y=

GLWG7WH6-6cm	GLWG7WH-8cm	6036	14058
9.5mm	9.5mm	9mm	7mm

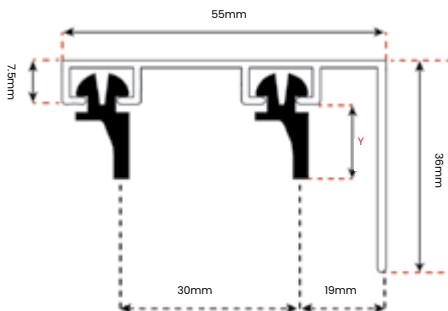
8062 - 15kg



Symmetrical double channel track ideal for contract applications such as hotels and offices. Ideal for situations where overlap on curtains is required. Integrated pelmet conceals curtain heading.



White



Mounted directly onto the ceiling - Pre-drilled holes every 40cm

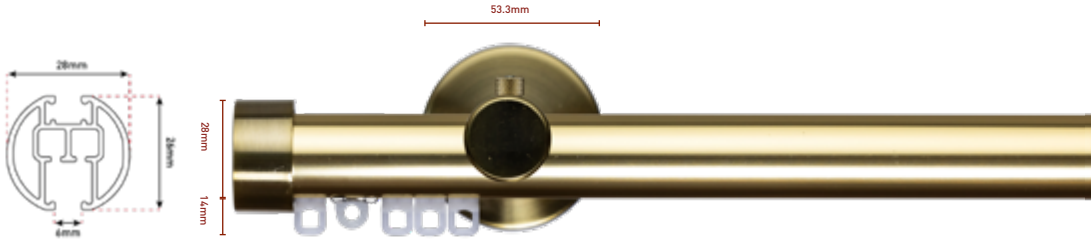
STANDARD

GLSD5WH	5721
13mm	6mm

Y=

GLWG7WH6-6cm	GLWG7WH-8cm	6036	14058
9.5mm	9.5mm	9mm	7mm

WAVE



Available in a range of colours with contemporary finial and bracket designs, the 9001 Pole Track offers a modern look. Popular as a double curtain pole.

Available as a hand drawn, or single cord or dual cord system.



Off-White



Gold



Black



Antique Brass

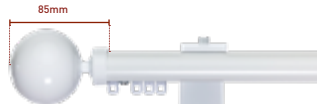


French Gray

5 Colours, 3 Finials, 3 Brackets, 45 different combinations!



Button Finial - Standard



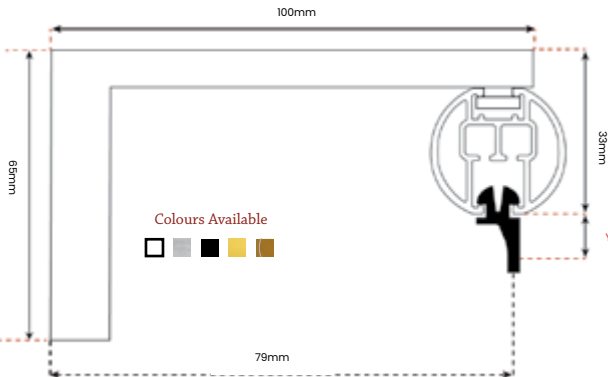
Ball Finial - Standard



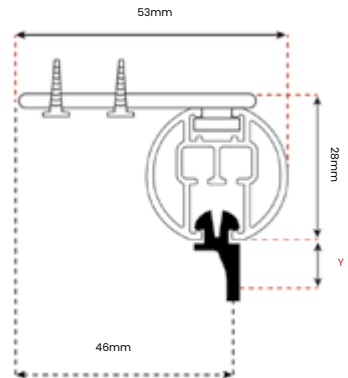
Trumpet Finial - Standard

Specs Brackets and Gliders

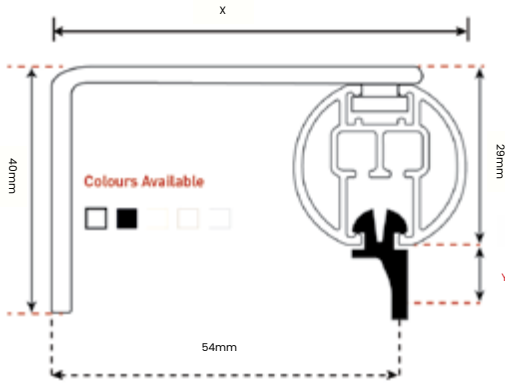
Wall Fix Square



Ceiling Fix

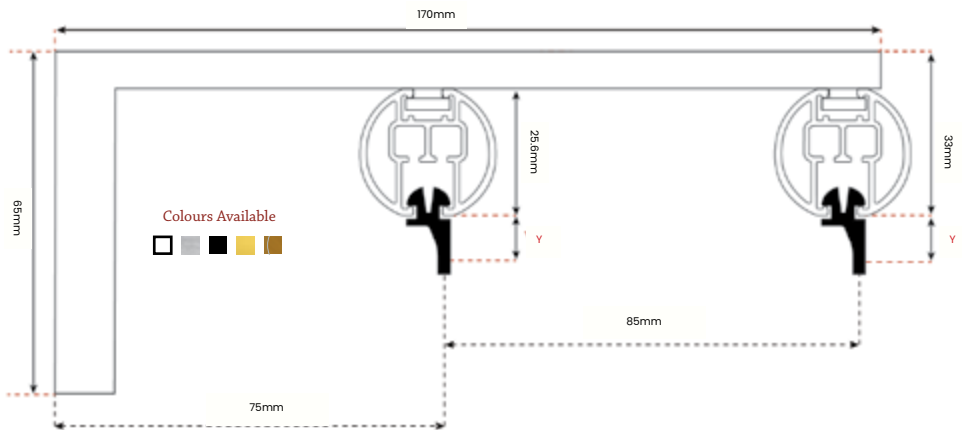


	CORDED ONLY	STANDARD	WAVE			
Y=	1307	GLSD5WH	GLWG7WH6-6cm	GLWG7WH-8cm	6036	14058
	17mm	13mm	9.5mm	9.5mm	9mm	7mm

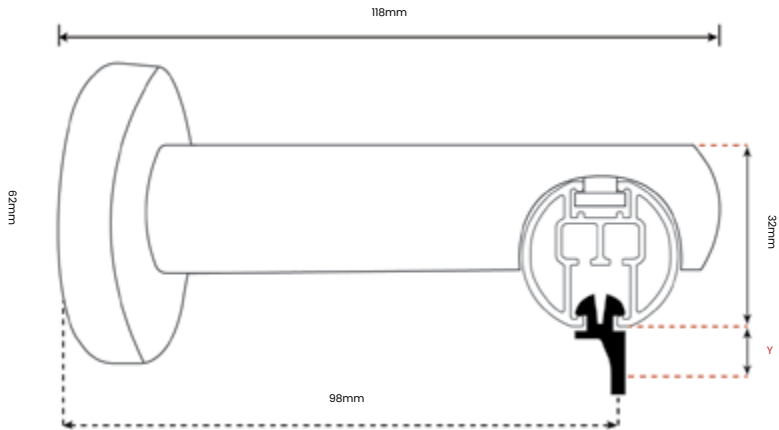


Article Number	5006	5110
Bracket Size	6cm	10cm
X=	66mm	106mm
Z=	54mm	94mm

Wall Fix Square Double

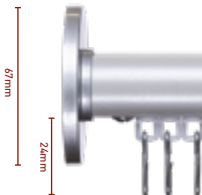
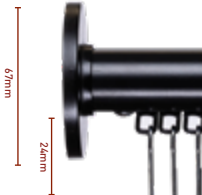
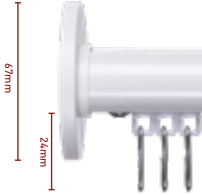
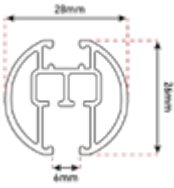


Round Wall Fix



[Click here to see online](#)

9001 Suspended - 15kg



Developed specifically for design lead healthcare projects, beauty treatment rooms and retail changing rooms, the 9001 Suspended is an elegant alternative to standard cubicle and privacy tracks. Available with a dust resistant PVC cover strip and colour coordinated covers for end brackets, this track can be mounted either on the wall or on the ceiling.



Off-White

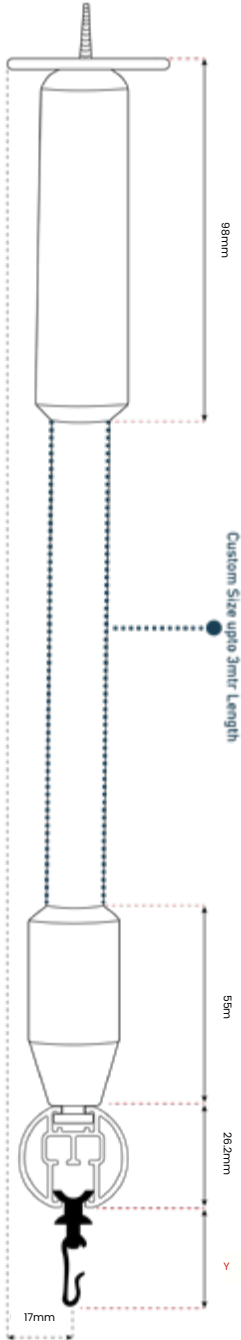


Gold



Black

Suspended Bracket

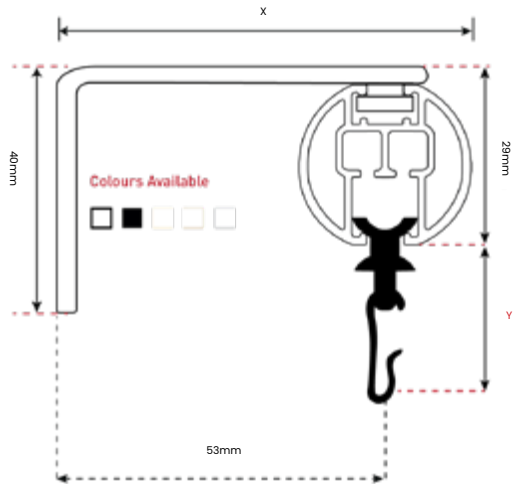


Article Number	5006	5110
Bracket Size	6cm	10cm
X=	67mm	107mm
Z=	43mm	83mm

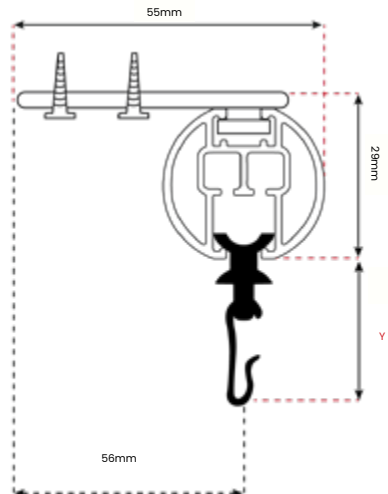
	5739K	5091
Y=		
	23mm	23mm



Wall Fix - L



Ceiling Fix

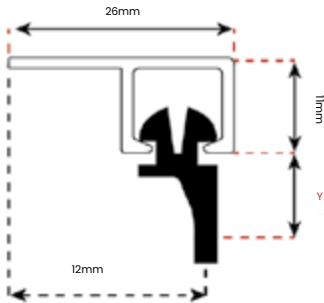




Hand drawn, direct ceiling mounted track, ideal for contract applications. Suitable for sheers and light to medium weight curtains, as well as wave curtains.



White



STANDARD

WAVE

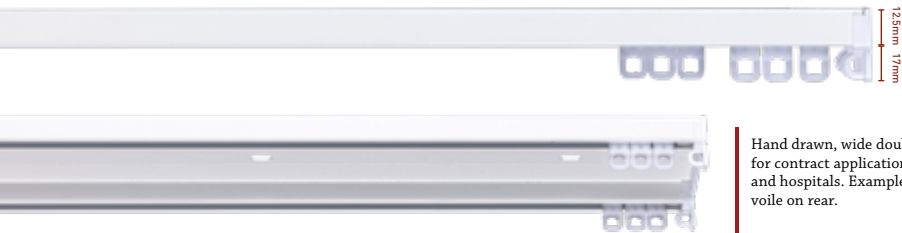
Y=

GLSD5WH	GLWG7WH6-6cm	GLWG7WH-8cm	6036	14058
13mm	9.5mm	9.5mm	9mm	7mm



Mounted directly onto the ceiling. Pre-drilled holes every 19cm.

9920 - 10.5kg



Hand drawn, wide double curtain track ideal for contract applications such as hotels, offices and hospitals. Example use: Curtain on front, voile on rear.

STANDARD

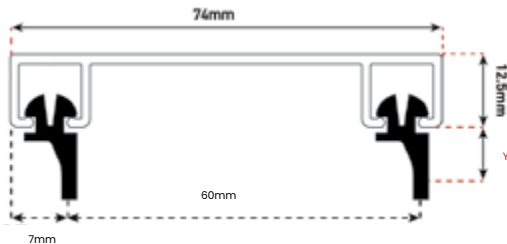
WAVE

Y=

GLSD5WH	GLWG7WH6-6cm	GLWG7WH-8cm	6036	14058
13mm	9.5mm	9.5mm	9mm	7mm



White

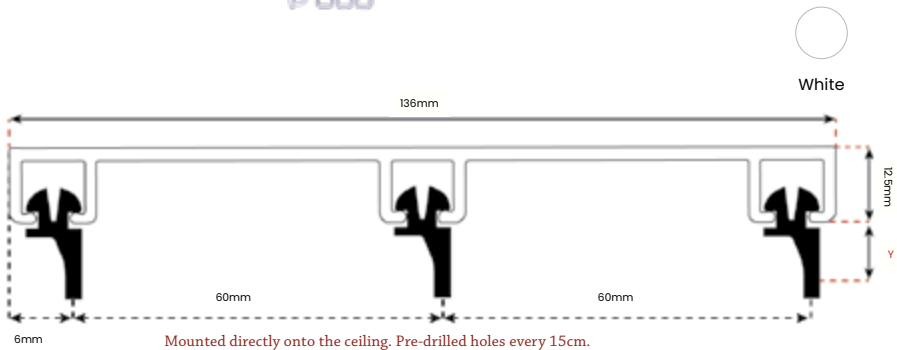
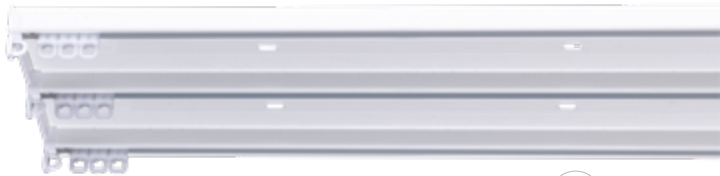


Mounted directly onto the ceiling. Pre-drilled holes every 15cm.

[Click here to see online](#)

9930 - 10.5kg

Hand drawn, wide symmetrical triple track ideal for contract applications such as hotels and offices. Example use: Curtain on front, voile on middle, blackout fabric on rear.



White

Mounted directly onto the ceiling. Pre-drilled holes every 15cm.

	STANDARD	WAVE			
	GLSD5WH	GLWG7WH6-6cm	GLWG7WH-8cm	6036	14058
Y=					
	13mm	9.5mm	9.5mm	9mm	7mm



Deco 1020 - 35kg

[Click here to see online](#)

Available in Hand Drawn and Motorized options (Electric and Battery Options)



White



Silver



Anthracite



Black



Champagne



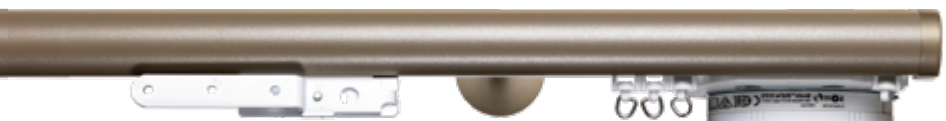
Antique






Silver
Brushed



Gold



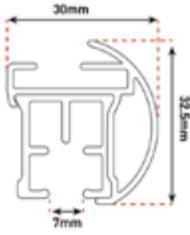
Specifically designed to seamlessly integrate with our CWF 1020 curtain track, creating a modern and sophisticated ambiance. The Deco 1020 is available in both battery-powered and electric options, offering convenience and flexibility in operation. Installing it is a breeze, thanks to its user-friendly design.

	STANDARD	WAVE	
	5080804000	GLWG7WH6-6cm	GLWG7WH-8cm
Y=			
	19mm	9.5mm	9.5mm

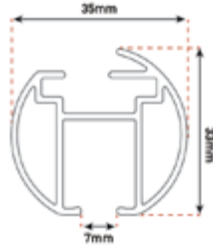
Specs Brackets and Gliders

Profile Specs

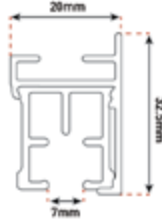
Round Motorised



Round Hand Drawn



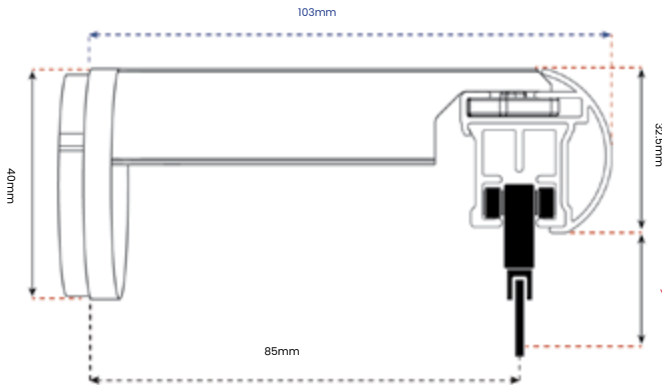
Flat Motorised



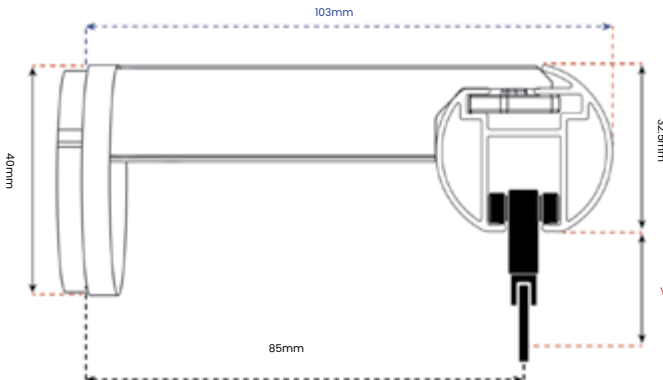
Flat Hand Drawn



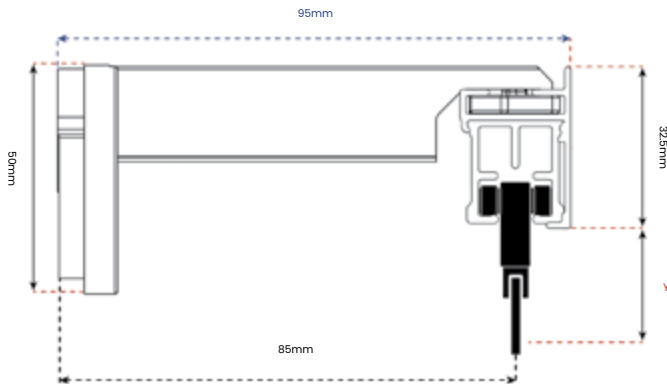
Decorative Wall Fix - Round Motorized



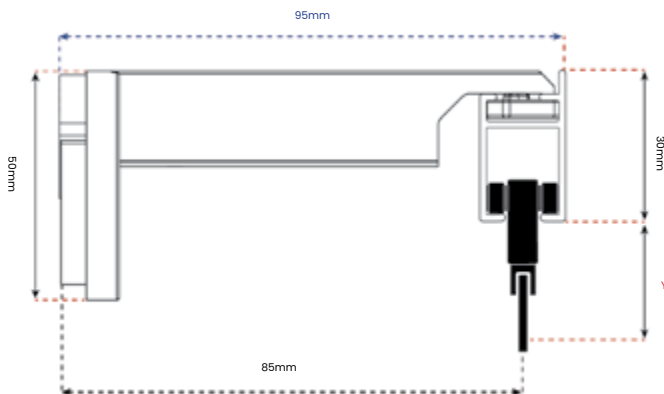
Decorative Wall Fix - Round Hand Drawn



Decorative Face Fix - Flat Motorized

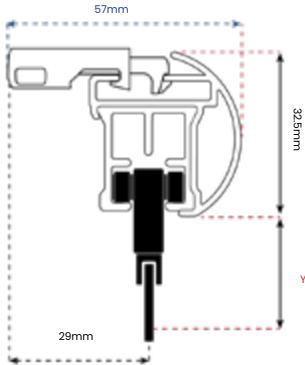


Decorative Face Fix - Flat Hand Drawn

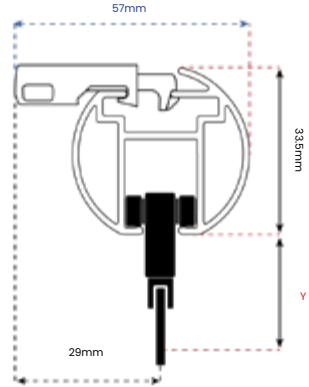


Ceiling Bracket

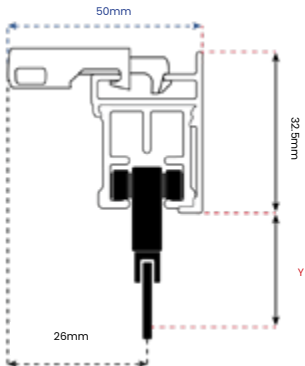
Round Motorised



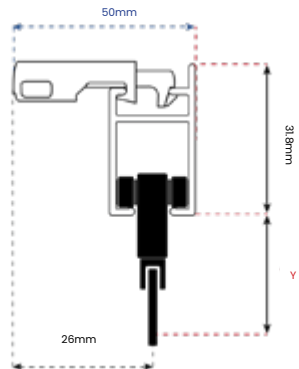
Round Hand Drawn

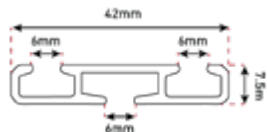
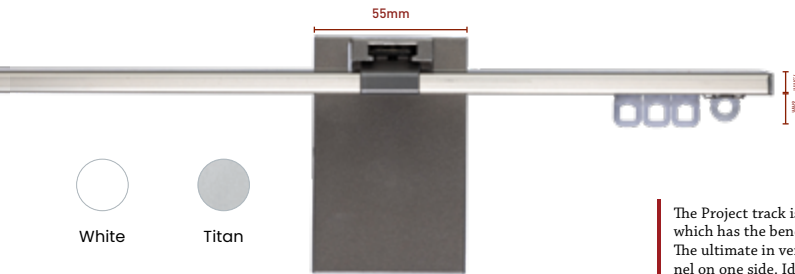


Flat Motorised



Flat Hand Drawn





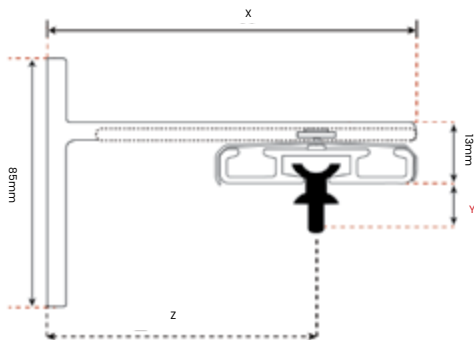
White



Titan

The Project track is a new contemporary track which has the benefit of being a single track. The ultimate in versatility, with a single channel on one side. Ideal for ensuring an overlap for voiles or light curtains.

Specs Brackets and Gliders



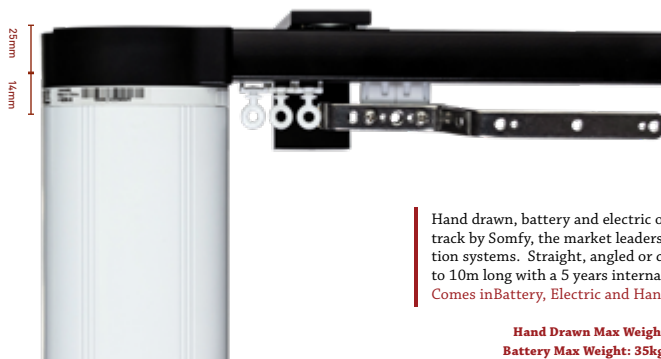
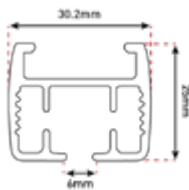
Bracket Cover Available

Article Number	1110312	1110332
Bracket Size	8cm	120cm
X=	80mm	120mm
Z=	63mm	103mm

	5721	5730-6CM	5735-8CM	14058
Y=				
	6mm	6mm	6mm	7mm



Motorized Battery or Electric



Hand drawn, battery and electric operated curtain track by Somfy, the market leaders in home automation systems. Straight, angled or curved options up to 10m long with a 5 years international warranty. Comes in Battery, Electric and Hand Drawn options.

Hand Drawn Max Weight: 35kg
Battery Max Weight: 35kg or 45kg
Electric Max Weight: 35kg or 60kg



White

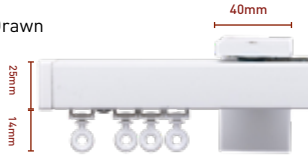


Black

	1781415	8627 - 6cm	8625 - 8cm
Y=			
	18mm	19mm	19mm

MOTORIZED GLIDERS

Hand Drawn



White



Black

STANDARD

--- WAVE ---

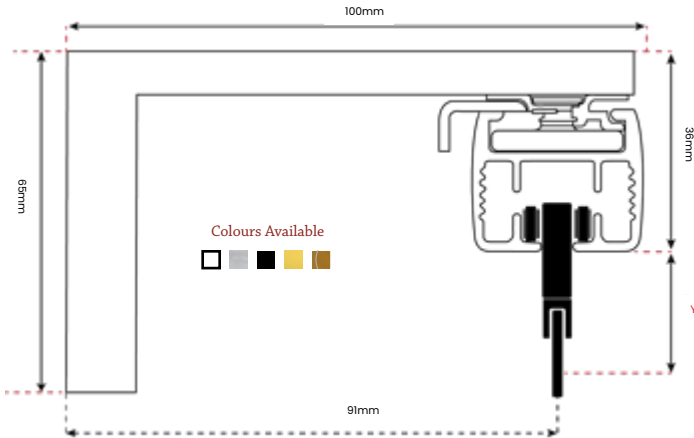
5080804000	GLWG7WH6-6cm	GLWG7WH-8cm
19mm	9.5mm	9.5mm

Y=

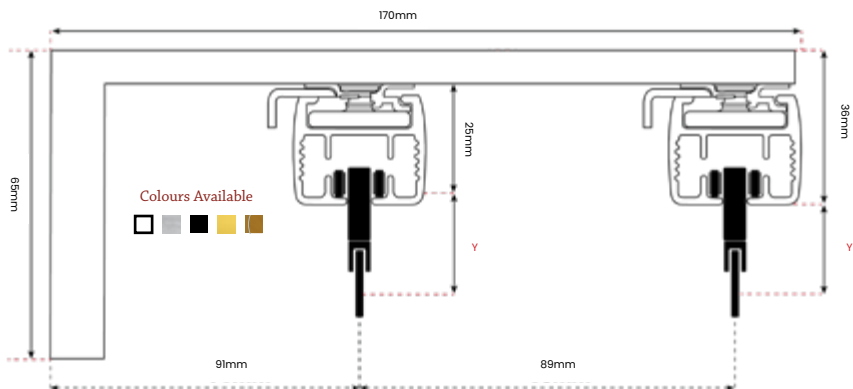
OPTIONAL HAND DRAWN GLIDERS

Specs Brackets and Gliders

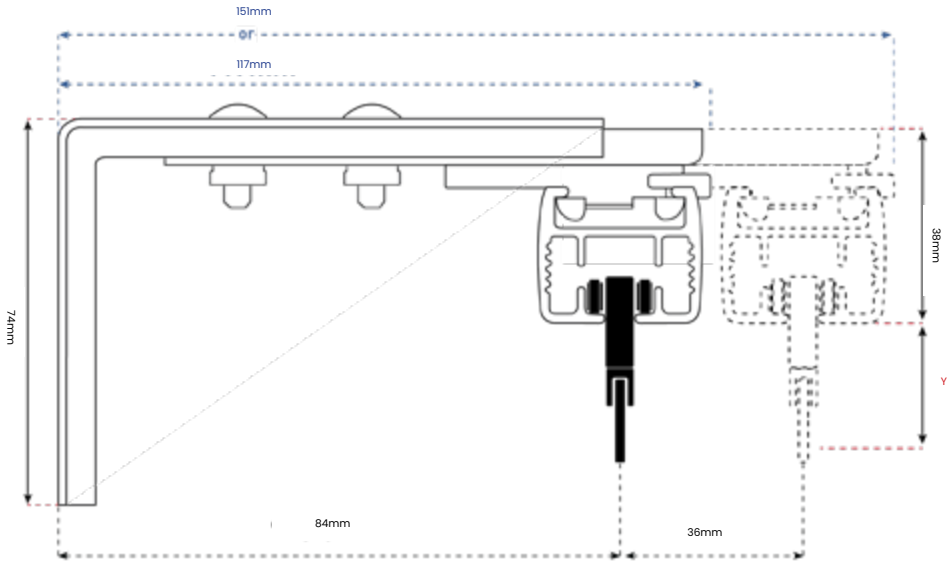
Wall Fix - Square



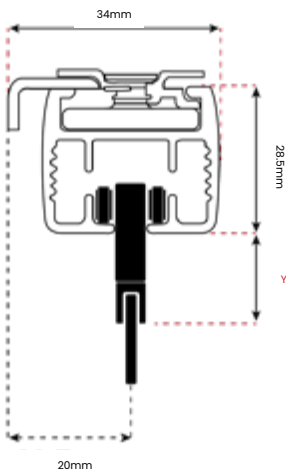
Wall Fix - Double Square



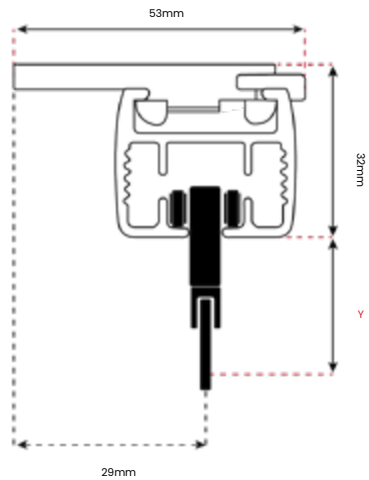
Wall Fix - Extendible

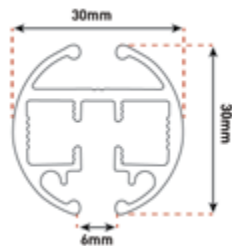
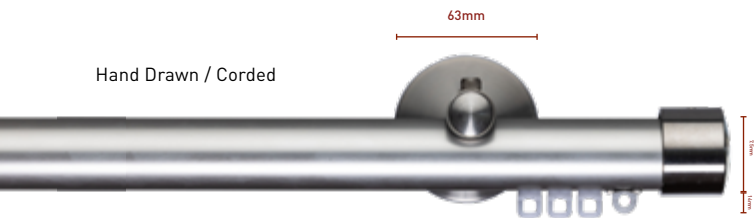







Swivel Ceiling Mount Bracket



One Touch Ceiling Bracket



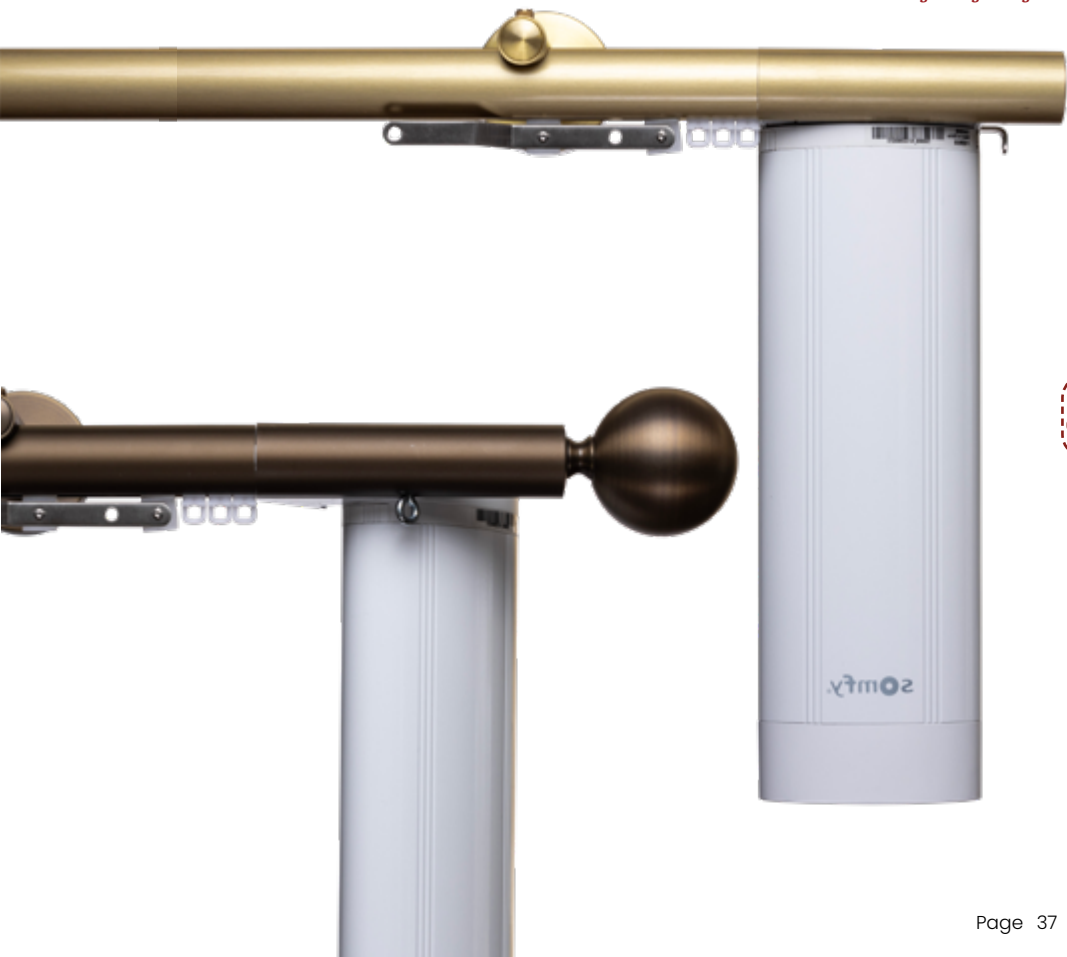


- 
White
- 
Antique
Brass
- 
Stainless
Steel
- 
Satin Gold
- 
Matt Black




Create a contemporary interior style with the Techno 30 Hand Drawn curtain Pole. Offering a curtain pole aesthetic with the functionality of a track, the Techno 30 track features a pulley system concealed within a minimalist finial. Available in Hand Drawn, Cord Drawn, Electric and Battery options.

Hand Drawn Max Weight: 30kg
Cord Drawn Max Weight: 25kg.
Battery Max Weight: 35kg or 45kg
Electric Max Weight: 35kg or 60kg

Motorized Battery or Electric

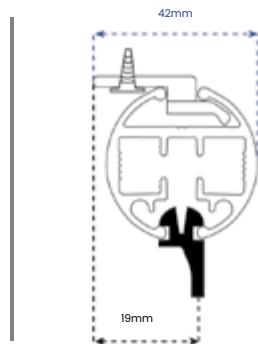
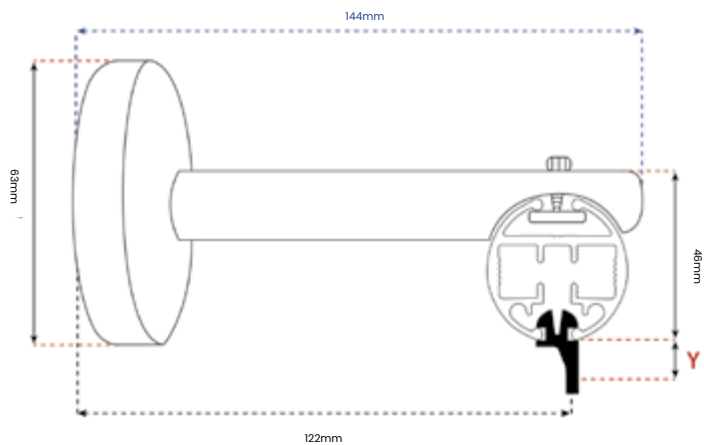


Specs Brackets and Gliders

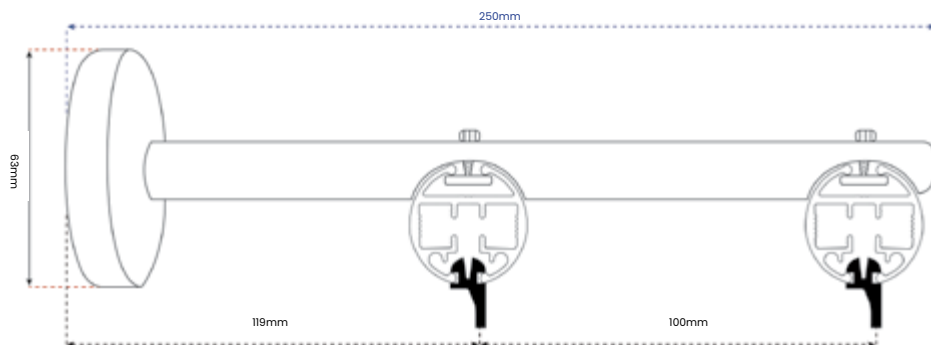
	STANDARD	WAVE	
Y=	GLSD5WH	53554/60	53554/80
			
	13mm	6mm	6mm

Wall Single Bracket

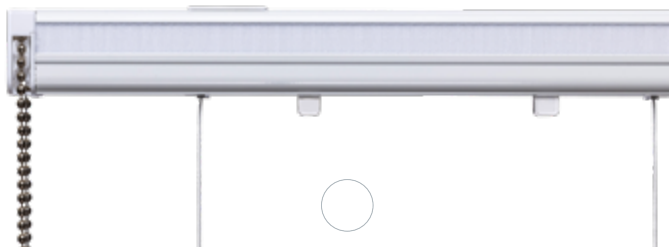
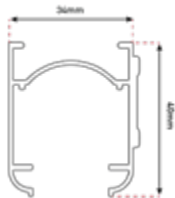
Ceiling Fix Single Bracket



Wall Double Bracket







White

Tech Specs

Maximum weight: 1:1 - 6kg / 1:4 - 10kg

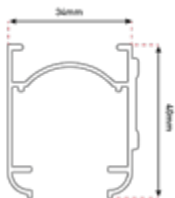
Minimum Width: 60cm

Please note this a chain operated kit

Size	60cm	90cm	120cm	140cm	160cm	200cm	220cm	240cm	260cm
Brackets	2	2	3	3	4	4	5	5	6
Spools	2	2	2	2	2	2	2	2	2
Rods	1	1	1	1	1	1	1	1	1



2009 Motorized



White

Black

Tech Specs

Maximum weight battery: 4.5kg* (approximate only, can vary depending on fabric & lining)

Minimum width battery: 45cm. For kit sizes less or greater than the sizes noted below, please contact the office.

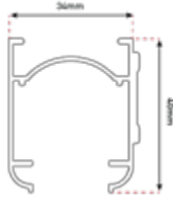
Please note this motorized roman blind kit comes in Battery and Electric options

Size	50cm	65cm	80cm	95cm	110cm	125cm	140cm	155cm	170cm	185cm	200cm
Brackets	2	2	3	3	3	4	4	4	5	5	6
Spools	2	2	3	3	3	4	4	4	5	5	6
Rods 1.8mtr Drop	5	5	5	5	5	5	5	5	5	5	5
Rods 3mtr Drop	7	7	7	7	7	7	7	7	7	7	7

Size	215cm	230cm	245cm	260cm	275cm	290cm	305cm	320cm	335cm	350cm
Brackets	6	6	6	6	6	6	7	7	7	7
Spools	6	6	6	6	6	6	7	7	7	7
Rods 1.8mtr Drop	5	5	5	5	5	5	5	5	5	5
Rods 3mtr Drop	7	7	7	7	7	7	7	7	7	7

[Click here to see online](#)

2009 Chain



Tech Specs

Maximum weight chain: 1:1 - 6kg / 1:4 - 12kg*

Minimum width chain: 34cm. For kit sizes less or greater than the sizes noted below, please contact the office.

Please note this roman blind kit comes in Chain, Battery and Electric options

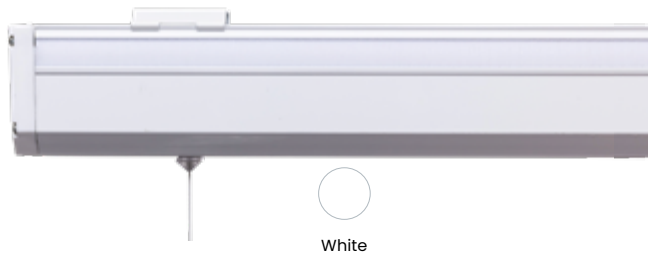
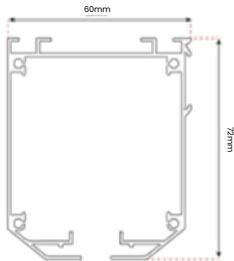
Size	50cm	65cm	80cm	95cm	110cm	125cm	140cm	155cm	170cm	185cm	200cm
Brackets	2	2	3	3	3	4	4	4	5	5	6
Spools	2	2	3	3	3	4	4	4	5	5	6
Rods 1.8mtr Drop	5	5	5	5	5	5	5	5	5	5	5
Rods 3mtr Drop	7	7	7	7	7	7	7	7	7	7	7

Size	215cm	230cm	245cm	260cm	275cm	290cm	305cm	320cm	335cm	350cm
Brackets	6	6	6	6	6	6	7	7	7	7
Spools	6	6	6	6	6	6	7	7	7	7
Rods 1.8mtr Drop	5	5	5	5	5	5	5	5	5	5
Rods 3mtr Drop	7	7	7	7	7	7	7	7	7	7



[Click here to see online](#)

2012 HD Motorized



Tech Specs

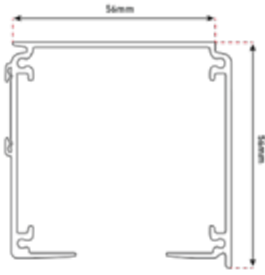
Maximum weight: 1:5 17kg*

Minimum Width: 60cm. For kit sizes less or greater than the sizes noted below, please contact the office.

Operation: Battery / Electric *Max size: 20kg (3Nm/6Nm Electric Sonnesse 40 Motor)

Please note this a Motorized operated kit.

Size	100cm	150cm	200cm	250cm	300cm	350cm	400cm	450cm	500cm
Brackets	3	4	4	5	6	6	7	7	7
Spools	3	4	4	5	6	6	7	7	7
Rods	6	6	6	6	6	6	6	6	6



White



Black

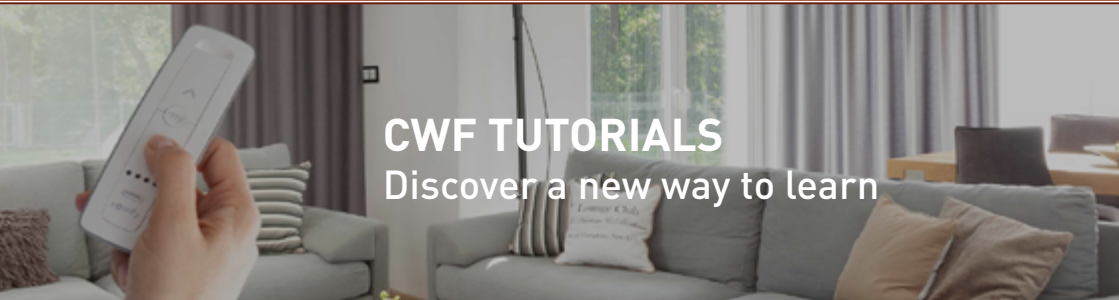
Tech Specs

Maximum weight: 17kg

Minimum Width: 56cm

Please note this a Battery or Electrically operation Kit

Size	100cm	150cm	200cm	250cm	300cm	350cm	400cm	450cm	500cm
Brackets	3	4	4	5	6	6	7	7	7
Spools	3	4	4	5	6	6	7	7	7
Rods	6	6	6	6	6	6	6	6	6



CWF TUTORIALS

Discover a new way to learn



See our Youtube Channel

- Step-by-step installation guides
- Tips for measuring and fitting
- Troubleshooting common issues
- Answering frequently asked questions
- Smart home integration



And more!



[Click Here](#)

Large Bend

Length of bend is 47cm for a 90 degree bend



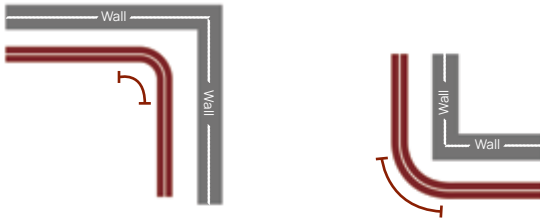
Compatible Curtain Track

9001, Glydea, Techno 30, 6220, 1020, 1021, 1300, 1400, 1500

Note.- These tracks can be straight and Large bend

Small Bend

Length of bend is 11cm for a 90 degree bend

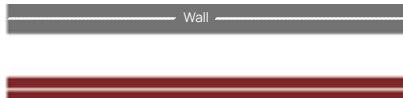


Compatible Curtain Track

1005, 2300, 5001 1100, 2005, 1012

Note.- These tracks can be straight and small bend

Straight No Bend



Curtain Track

0521,1019, 5408, 8061, 8062, 9920, 9930, Deco 1020 Motorised, Project

Note.- These tracks cannot be bent



Understanding Wall Allowance for Wall Fixed & Top Fix Curtain Tracks

When installing curtain tracks, whether wall fixed or top fixed, it is crucial to consider “wall allowance.” This refers to the extra distance between the track and the wall needed to ensure the track bends smoothly around corners or architectural features.

Why It Matters:

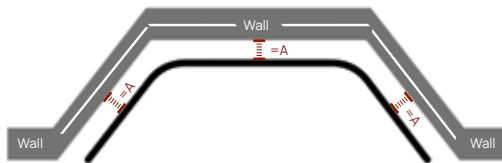
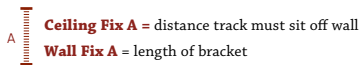
- Ensures a seamless fit and smooth operation of your curtains.
- Maintains the aesthetic appeal of your window treatments.

Key Points:

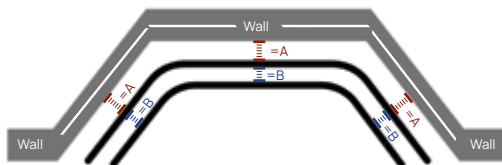
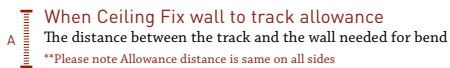
- You need to confirm when ordering if the sizes refer to the wall measurements or track measurements

By incorporating wall allowance, we guarantee a perfect fit for your curtain tracks, enhancing both the look and function of your space.

Ceiling or Wall Fix Single Curtain Track



Ceiling or Wall Fix Double Curtain Track



*** Please note wall fix is dictated by the length of the wall bracket chosen

MINIMUM STRAIGHT LENGTH BEFORE BENDING

Ensuring Perfect Bends in Your Curtain Tracks

When installing curtain tracks, it's important to know that each track requires a minimum straight length before bending can occur. This ensures smooth and functional bends around corners or architectural features.

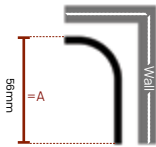
Why It Matters:

- Proper straight length before bends ensures curtains glide effortlessly.
- Guarantees the track fits perfectly and looks seamless.
- Ensures the track is secure and properly supported.

By considering the minimum straight length needed before bends, we ensure your curtain tracks are both functional and aesthetically pleasing.

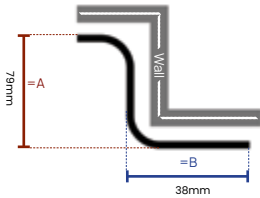
Minimum Straight Length Before Bending

9001 Corded



A= Wall Size = .56cm + bracket/allowance
 A= Rail Size = .56cm

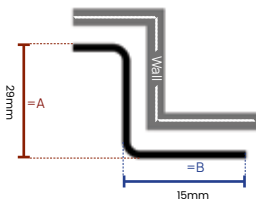
Large Bend



A= Wall Size = .79cm
 A= Rail Size = .79cm

B= Wall Size = .38cm
 B= Rail Size = .38cm + bracket/allowance

Small Bend

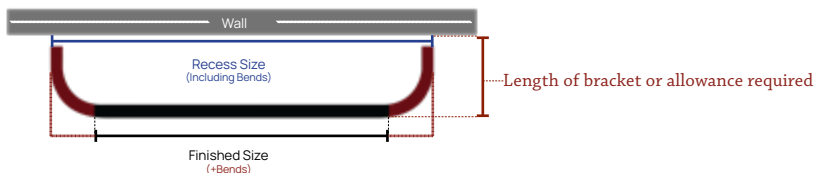


A= Wall Size = .29cm
 A= Rail Size = .29cm

B= Wall Size = .15cm
 B= Rail Size = .15cm + bracket/allowance

2005 - French Bend

A French bend in curtain tracks allows for elegant, smooth curves at one or both ends of the track. This design not only enhances the aesthetic appeal but also prevents light from seeping in at the edges, ensuring better light control and privacy.



****Please note maximum size for a french bend is 25cm

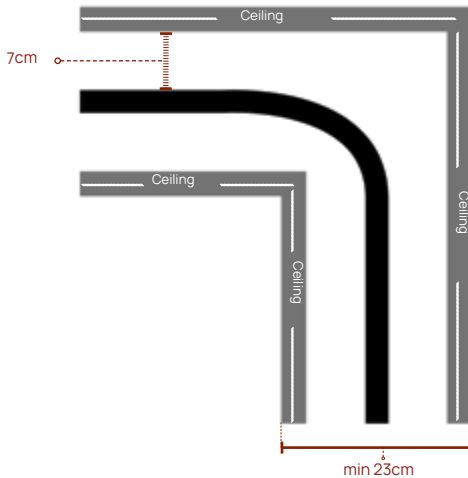


RECESSED TRACKS

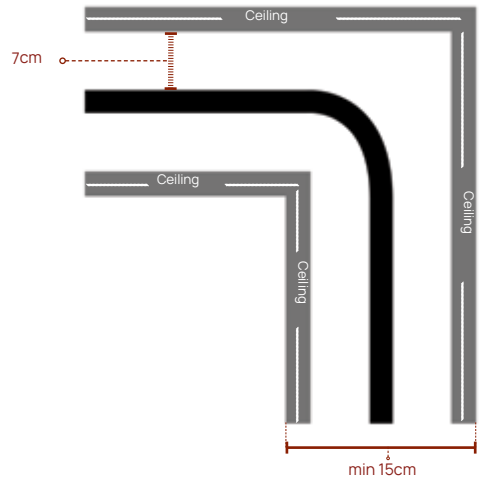
A curtain track in a recess, so it is hidden from view. Only the curtains themselves are visible, creating a sleek and seamless appearance in the room.

When installing a recessed curtain track, it's essential to consider dimensions and allowances to ensure a smooth operation and a professional finish.

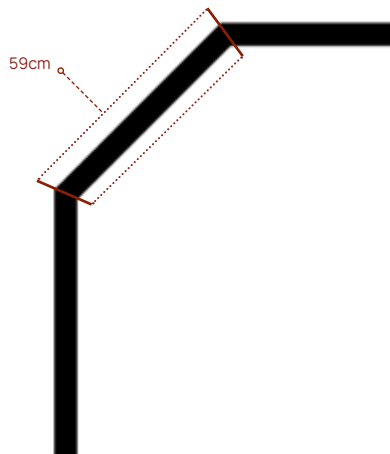
Large Bends



Small Bends



WHEN TWO BENDS ARE SIDE BY SIDE



Large bend only

Wall Size 59cm + Bracket / Allowance - non issue with small bends

*****Applicable to both traditional and recessed bended tracks**



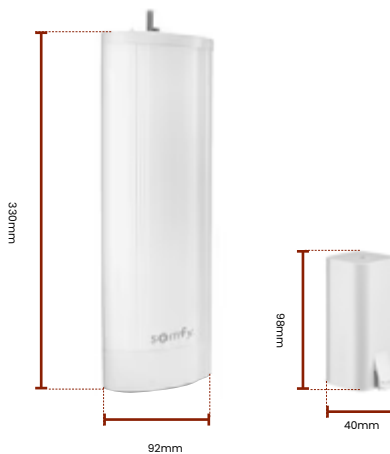
Battery Motors

MOTBS-I45WF – 45Kg RTS Motor

Charging cable is 3.6mtr



** Depth of motor is 52mm



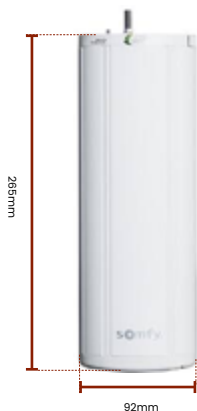
** Depth of motor is 52mm



Electric Motors

MOTES-M35RTS – 35Kg RTS Motor

(also available in WT and DCT version)



** Depth of motor is 50mm

Length of cable = 1.5m

MOTES-G60RTS – 60Kg RTS Motor

(also available in WT and DCT version)



** Depth of motor is 50mm

Length of cable = 1.5m

***** All motors can be used on all our motorised tracks. *****

Battery Motors

Sonesse 28 LI-Ion - Battery



Motor Diameter 26.6mm x 546mm Length

Sonesse 40 L-Ion - Battery



Motor Diameter 35.3mm x 650mm Length

Sonesse 30 LI-Ion - Battery



Motor Diameter 28.8mm x 601.7mm Length

Sonesse 40 Electric



Motor Diameter 29mm x 510mm Length

Danish kit & Heavy Duty Kits

MOTBS-S28WF – Sonesse 28 Battery

MOTBS-S30RTS2 – Sonesse 30 Battery

MOTBS-S40WF – Sonesse 40 Battery

MOTES-S30RTS (Electric – also available in DCT and RS485 versions)

MOTES-S40RTS3 – Sonesse 40 Electric 3NM (Also available in WT and RS485 version)

MOTES-S40RTS6 – Sonesse 40 Electric 6NM * With 2.5mtr cable**



Tilt & Lift Motor

MOTBS-TL25WF



Tube Diameter 25mm x 197mm Length

Multi Purpose Kit

MOTBS-TL25WF – Tilt and Lift Battery Motor

9021217 – Battery for Tilt and Lift motor

Extention Cables

Extension cables only apply to tubular battery motors and the Multi Purpose kit Tilt and Lift motor:

9021131 – 20cm

9021016 – 2.4m

Battery Pack for Motor - 9021217



247.7mm x 25.4mm x 25.4mm



9028562 Magnetic Cable
No Extention



9028560 Magnetic Cable
85cm



1822445 -12V DC Plug-in Power Supply
with 3mtr cable (9.9 ft)

TaHoma Switch - REMS00W



162mm x 67.5mm x 34 mm

Connectivity Kit - REMS20W



138mm x 72mm x 26 mm

Situo 1 RTS Pure II - REMS01W



1 Channel

160mm x 47mm x 34mm

Situo 5 RTS Pure II - REMS05W



5 Channel

160mm x 47mm x 34mm

TELIS 16 RTS - REMS16W



16 Channel

151mm x 47mm x 18mm

Wall Switch - 1810880



1 Channel

80mm x 80mm x 10mm

Wall Switch - 1800295



5 Channel

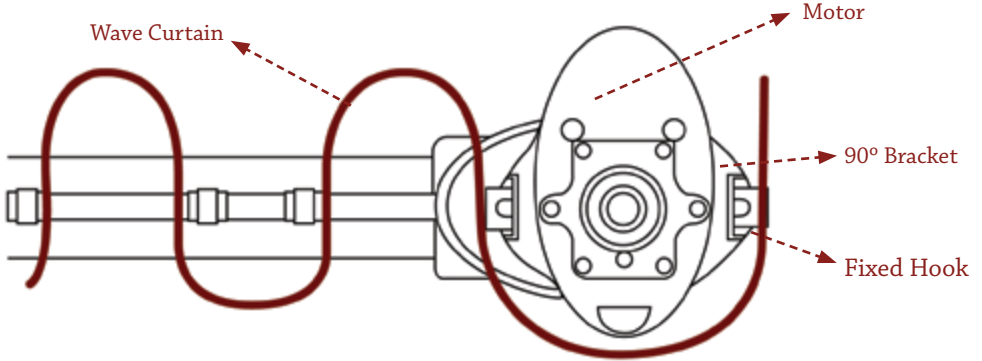
80mm x 80mm x 10mm



FULL CONTROL.
THE FUTURE
IS HERE

What is the 90 Motor Adaptor?

The adaptor is designed to change the orientation of the motor. In this case, rotating the motor by 90 degrees could mean changing its position from horizontal to vertical, or vice versa.



Why is it Important?

Using the adaptor rotation capabilities allows the motor to fit into a designated space within the curtain track system to stay “within the wave”. The adaptor ensures that the motor can operate efficiently without protruding awkwardly or interfering with the curtain movement.

90° Adaptor



90° Adaptor View from Top



Rotated Motor with 90° Adaptor

